



Architect/Engineering Specifications:

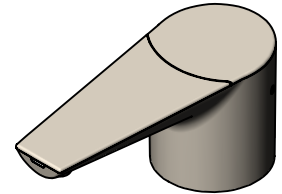
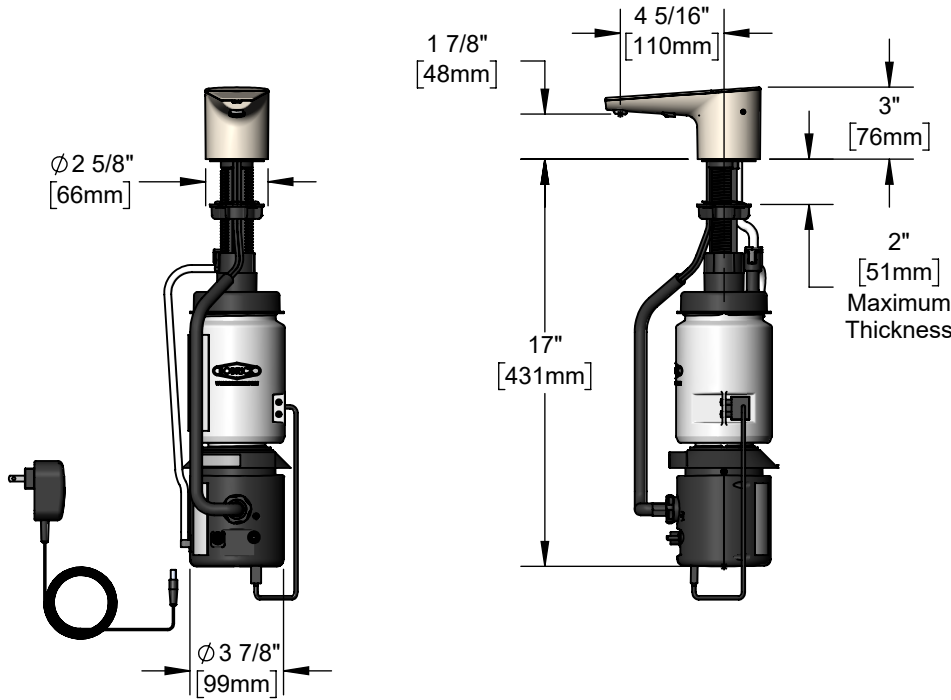
Electronic sensor foam soap dispenser with brushed nickel spout, lockable rotating lid, top fill funnel, and AC adapter.

Job Name _____

Model Specified _____ Quantity _____

Variations Specified _____

Date _____



Features & Benefits:

- Electronic sensor foam soap dispenser
- Brushed nickel spout
- Top fill funnel beneath rotating lid with locking mechanism
- Uses commercially available all purpose foam hand soap
- 100-240 VAC adapter
- Material: Brushed nickel metal spout

Product Compliance:

- N/A

Warranty: Three Years (Limited)

Performance Data:

- Capacity: 34 oz [1 L]

