

# FOODSERVICE PLUMBING PRODUCTS

India and Subcontinent



RELIABILITY BUILT IN™



## CERTIFICATIONS

As a leader in quality manufacturing, T&S Brass proudly displays certificates that demonstrate that we have met the stringent standards developed by the International Standardization Organization (ISO), ASME International, NSF International and CSA International (Canadian Standards Association).

Our company's ISO-9001:2015 certification is based on an evaluation of its performance of the various jobs and processes that potentially affect product quality. T&S guarantees its products will be manufactured to the highest standards in the industry with the finest craftsmanship possible.

Underwriters Laboratories plays a key role in evaluating how T&S meets the ISO-9001:2015 standard. As the Quality Systems Registrar, UL DQS Inc. was responsible for the entire registration process and oversees periodic assessments to help T&S maintain its goal of exceeding customer expectations for quality manufacturing and service.

CSA International handles the vast majority of third-party testing and certifications for T&S Brass products. These product certifications are a further demonstration of our company's commitment to the needs of our customers and their communities. Following an evaluation for both the leaching of contaminants into drinking water from faucets and the mechanical quality standards, T&S pre-rinse units and drinking water and lavatory faucets meet or exceed the NSF/ANSI Standard 61, Section 9 standard for Drinking Water Systems (Health Effects) and the ASME A112.18.1 / CSA B125.1 standard for mechanical quality. In short, T&S products are both safe for use within any drinking water system and adhere to the mechanical quality standards for ease of installation, operation, and reliability.

By meeting or exceeding the standards set by these internationally recognized organizations, we demonstrate our commitment to deliver the highest quality products to customers around the world.

At T&S Brass, we are pleased to take a leading role in innovating and developing low lead compliant fixture fittings. Look to T&S's website, [www.tsbrass.com](http://www.tsbrass.com) for news and products related to low lead and the related standard NSF/ANSI 372 Drinking Water Systems Components – Lead Content. Contact your sales representative or T&S customer service for more information. And enjoy the confidence that comes with Reliability Built In™.





RELIABILITY BUILT IN™

PRODUCTS RESOURCES SUSTAINABILITY MARKETS INTERNATIONAL ABOUT CONTACT

- Africa
- Asia
- Canada
- Eastern Europe
- India and Subcontinent
- Mexico, Central America & Caribbean
- Middle East
- New Zealand
- South America
- United Kingdom
- United States
- Western Europe
- All Regions

<https://www.tsbrass.com/international/india-subcontinent>

## T&S Brass: India and Subcontinent

# Why Choose T&S?

To Save Money, Time, and Energy.  
Here's how:



T&S Brass in  
India and Subcontinent

We are ready to supply  
what our customers  
need, wherever they are.



**Experience:**  
T&S Brass and Bronze Works, Inc., founded in 1947, introduced the industry's first pre-rinse unit, followed by key innovations like the foot pedal valve over the next decade.

**Durability:** T&S Brass manufactures the best constructed products in the market, many of which are made in the USA, and undergo rigorous testing.

**Interchangeability:** Within the product line, you can exchange parts and customize each product to suit your need.

**Variety of Products for Various Industries:** You will find a huge selection of products for nearly every type of industry.

**Certifications and Name Recognition:** Not only do we have a large series of certifications, underlining the quality we offer, but T&S is a name everyone recognizes and respects.

**Proactive Water Conservation:** T&S remains committed to conservation and sustainability for all products we manufacture and produce. We offer you solutions to save tremendous amounts of water in virtually any situation.

**Fast Shipping and Outstanding Customer Service Support:** Need a part quickly? T&S will assist you with fast and reliable service so you can get on with your business and life.

**Family-Owned and Experienced:** Since T&S's invention of the Pre-Rinse Unit in 1947, T&S has been operated as a family business, treating our customers as one of their own while offering professional service and products of the highest quality.

**Quality and Reliability:**  
T&S products are highly acclaimed throughout the industry for being well-built, long-lasting and reliable. Rigorous testing and a focus on interchangeability have helped set T&S apart from the competition. Today, more than 300 employees manufacture products and serve customers from the company's main headquarters in South Carolina with many more working behind the scenes at distribution facilities in California and China.



RELIABILITY BUILT IN™



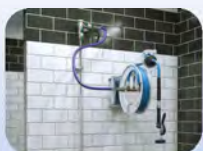
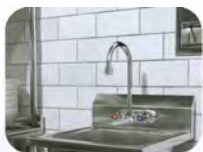
**WAVECREST™**  
BY T&S



**LAKECREST™**  
BY T&S



**ULTRARINSE™**



# India and Subcontinent Catalog

## Table of Contents

Introductory Pages	2-5
<ul style="list-style-type: none"> <li>• Certifications</li> <li>• Why Choose T&amp;S? India and Subcontinent</li> <li>• Great Reasons To Specify T&amp;S Brass in India</li> </ul>	
Sustainability	6-10
<ul style="list-style-type: none"> <li>• 9 T&amp;S Solutions To Extend Usefulness of T&amp;S Products</li> <li>• T&amp;S and Sustainability</li> <li>• How Can T&amp;S Help You Save Water?</li> <li>• Critical Water Conservation at Foodservice Facilities</li> <li>• 5 Ways T&amp;S Saves You Time at Installation</li> </ul>	
<b>NEW!</b> Wavecrest Designer Manual Faucets	11-13
Lakecrest Designer Manual Faucets	14-15
EverSteel Pre-Rinse Units and Faucets	16 -22
Pre-Rinse Units	23-42
<ul style="list-style-type: none"> <li>• Customize Your Pre-Rinse Unit</li> <li>• Superior Features of T&amp;S Pre-Rinse Units</li> <li>• T&amp;S Deck and Wall-mount Pre-Rinse Units</li> <li>• T&amp;S Spray Valves</li> <li>• Equip, UtilityLine and Klarco Pre-Rinse Units</li> <li>• T&amp;S Ultra Rinse for Pre-Rinses and Faucets</li> <li>• How Can T&amp;S Help You Save Energy-Water-Money?</li> <li>• T&amp;S and Innovation: Ultra Rinse</li> <li>• T&amp;S Water Audits / Cost Savings Calculator</li> </ul>	
Electronic Sensor Faucets	43-50
<ul style="list-style-type: none"> <li>• Why T&amp;S Sensor Faucets are Great</li> <li>• T&amp;S Above Deck and Below Deck Sensor models</li> <li>• Sensor-Activated Glass and Water Bottle Filler</li> <li>• Hydrogenerators standard and low flow</li> <li>• Equip and UtilityLine Sensor Faucet models</li> </ul>	
Faucets	51-63
<ul style="list-style-type: none"> <li>• Customize Your T&amp;S Faucet</li> <li>• T&amp;S Deck- and Wall-mount Faucets</li> <li>• Equip, iLine and Klarco Faucets</li> </ul>	
Hose Reels	64-80
<ul style="list-style-type: none"> <li>• Configurator T&amp;S Hose Reels and models</li> <li>• T&amp;S Open and Enclosed Hose Reels</li> <li>• T&amp;S Combi Oven and Washdown Station</li> <li>• Spray Valves and Water Guns</li> <li>• T&amp;S Hose Reel Features and Benefits</li> <li>• Configurator Equip Open Hose Reels and models</li> <li>• T&amp;S and Klarco Hose Reels/ Klarco MAXIReels</li> <li>• Klarco MINIReel / Klarco EasyKits</li> </ul>	
Additional Foodservice Solutions	81-84
<ul style="list-style-type: none"> <li>• T&amp;S Dipperwell Faucets and T&amp;S / Equip Glass Fillers</li> <li>• Sensor-Activated Bubbler</li> <li>• Waste Drain Valves</li> <li>• Emergency Eye Care</li> </ul>	
Accessories and Spare Parts	85-91
<ul style="list-style-type: none"> <li>• T&amp;S, Equip and UtilityLine</li> </ul>	
T&S BRASS History•Sustainability• Mission•Statement	92 94-96
TSU T&S University Training and Certification	93

# Great Reasons To Specify T&S Brass in India and Subcontinent



▼ Superior Product Features



▼ Outstanding Customer Service



▼ Custom Engineering and Modifications



▼ Interchangeability



▼ Lakecrest Designer Manual Faucets



NEW!

▼ Energy and Water Conserving Design



▼ Wavecrest Designer Manual Faucets

▼ EverSteel Stainless Steel Pre-Rinse Units and Faucets



▼ Quality and Innovation

▼ Sustainability and Reliability

▼ Extensive Product Line



▼ Codes and Compliances





RELIABILITY BUILT IN™

# SAVE ENERGY WATER MONEY

## 9 T&S SOLUTIONS:

### T&S Accessories That Extend the Usefulness of Your Pre-Rinse, Faucet and Hose Reel

#### RELIABILITY BUILT IN

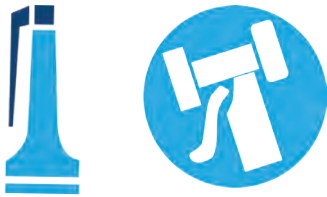


Cerama

Eterna

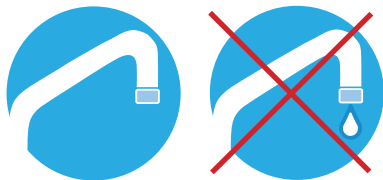
#### 1 CERAMA AND ETERNA CARTRIDGES

- Cerama ceramic cartridges are built to last a lifetime.
- Eterna compression cartridges that specifiers and end-users have relied on for over 50 years.



#### 2 T&S SPRAY VALVES & WATER GUNS

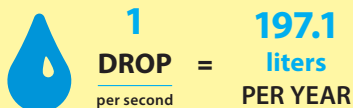
- Heavy-duty, commercial grade, built to last
- Backed by years of T&S field testing and customer satisfaction.



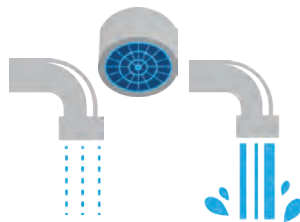
#### 3 T&S REPLACEMENT PARTS FOR LEAKS

- Don't throw money away with leaks! T&S faucets are the reliable solution
- Repair, don't throw out! Spare parts are readily available and easy to replace (see p. 81-87).

#### How Much Water Is Wasted with a Faucet Leak?



#### SUSTAINABILITY BUILT IN



A Low Flow Outlet vs. A Full Flow Outlet

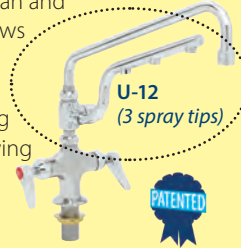


#### 4 SPECIFY A LOW FLOW AERATOR

- Wide range of low flow aerators and outlets, from 1.9 L/min (0.5 GPM) to 8.3 L/min (2.2 GPM)
- Change out your existing aerator or outlet and immediately save money (see p. 8).

#### 5 T&S ULTRARINSE™ PRE-RINSE UNIT AND FAUCET RINSERS, IN 2 SIZES

- Fan spray tips clean and rinse quickly, allows hands-free operation, is perfect for rinsing vegetables, thawing foods, and saves water! (see p. 27 and 36).



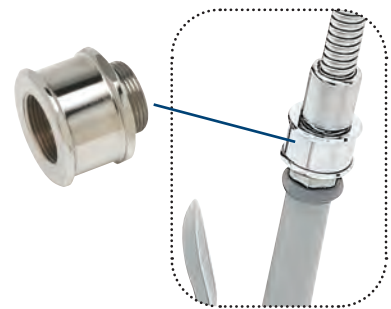
U-12 (3 spray tips)



#### 6 A SENSOR FAUCET AND HYDROGEN-GENERATOR WILL SAVE WATER AND GENERATE POWER WITH EVERY USE!

- Sensor faucets with low flow aerators available
- Add a Hydrogenerator (above, left) or Low flow Hydrogenerator (right) to generate power and save energy and money! (see p. 45-47).

#### LOW COST OF OWNERSHIP BUILT IN



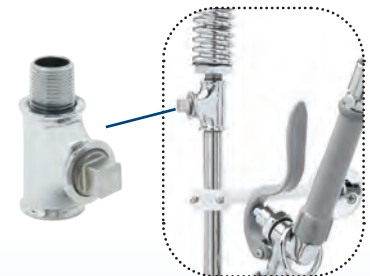
#### 7 SWIVEL / Pre-Rinse / Hose Reel

- Allows for smooth 360° rotation of spray valve
- Extends the life of your pre-rinse hose and spray valve with reduced stress (see p. 24).



#### 8 WALL BRACKET / Pre-Rinse

- Stabilizes your pre-rinse, attached to riser
- Prevents leakages due to vibrations during use and thread loosening (see p. 22-23).



#### 9 RIGID ACCESSORY TEE / Pre-Rinse

- Adds another water source to your pre-rinse unit as an alternative to an add-on faucet, attaches to riser (see p. 24).

# T&S Brass Products and Sustainability



NEW! **WAVECREST™**  
BY T&S

**LAKECREST™**  
BY T&S



THE **utilityline**

◀ **KLARCO™**

"In the end, it's all about helping save natural and financial resources for our customers. It's our mission — and it's part of everything we do."



Whether it's through our careful recycling efforts or through the thoughtful engineering of our durable product lineup, T&S is committed to reducing our environmental impact.

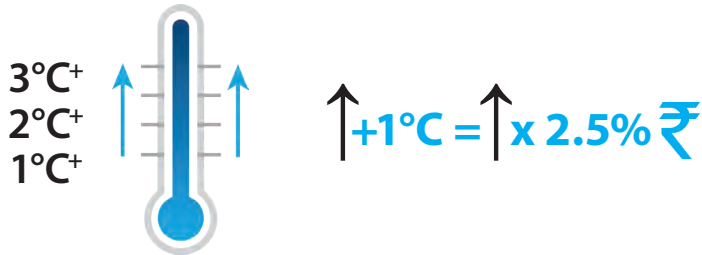
We're delivering longer usability — which translates to fewer product replacements — and we've cut our overall carbon footprint by an average of **5% year-over-year** for the last several years.

At T&S, we're putting our principles into action — and the impact speaks for itself.

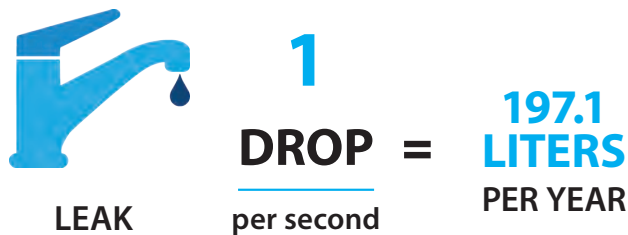
# HOW CAN T&S HELP YOU SAVE WATER?

## WATER IS NOT JUST WATER.

COST EFFECT OF HIGHER WATER TEMPERATURE



WATER WASTE IS COSTLY AND AVOIDABLE

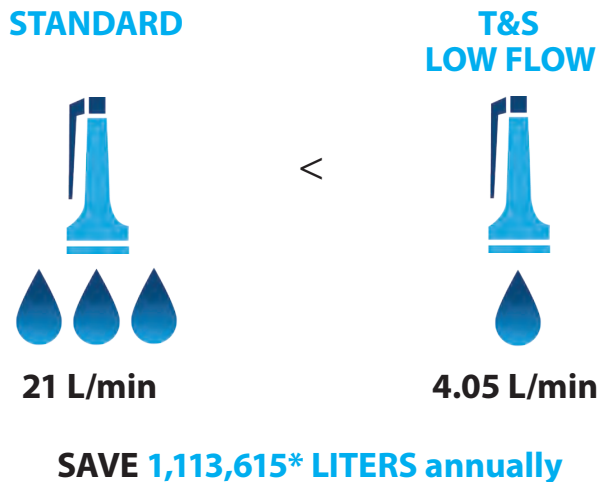


### T&S Spray Valve & Aerator SAVINGS

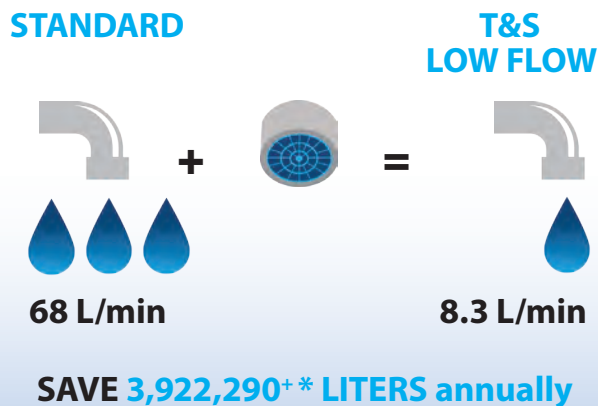
You can choose from a wide range of water-saving products to meet your specific needs.

All of our T&S Low Flow Spray Valves and Aerators make it easy to save energy, water and money!

LOW FLOW SPRAY VALVE SAVINGS



LOW FLOW AERATOR SAVINGS



\*3 hours per day, 365 days per year



RELIABILITY BUILT IN™

## Critical Water Conservation at Foodservice Facilities

*Let T&S Help You Save Water, Energy and Money at Your Facility*



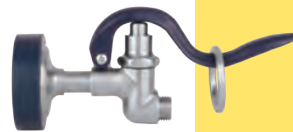
### Low-Flow Pre-Rinse Spray Valves

While low-flow technology is more important than ever, it is critical that equipment still maintain a sufficient level of performance — like fast, efficient cleaning times for pre-rinse units. T&S pre-rinse spray valves pioneered water efficiency and conservation in the pre-rinse unit category. While LEED v4 flow rates are baselined at  $\leq 4.92$  L/min, the newest T&S pre-rinse spray valves are leagues ahead – offering 2.46 L/min and saving you up to 378,541 liters per year.



### Aerators and Flow Control Devices

The perfect product to maximize water savings, T&S aerators provide flow control by restricting water usage to between 1.32 L/min and 8.33 L/min. This range of flow rates allows operators to achieve proper levels for both conservation and regulatory requirements on new products and retrofits.



### Top 12 Cities Most Likely to Run Out of Drinking Water\*

- 1 Cape Town
- 2 São Paulo
- 3 Bangalore
- 4 Beijing
- 5 Cairo
- 6 Jakarta
- 7 Moscow
- 8 Istanbul
- 9 Mexico City
- 10 London
- 11 Tokyo
- 12 Miami

\* According to [bbc.com](http://bbc.com)

# 5 WAYS T&S SAVES YOU TIME AT INSTALLATION

T&S makes life easier for contractors and operators — whether it's the way our products are designed and packaged, the way they're built to last, or the way our knowledgeable customer service representatives are there when you need them.

1



**ALL IN ONE BOX**

2



**EASYINSTALL DESIGN**

3



**SWIVEL-TO-RIGID SPOUTS**

4



**KNOWLEDGEABLE CUSTOMER SERVICE**

5



**INSTALL IT & FORGET IT**

T&S products are packaged with everything you need for installation in 1 **EASY-TO-UNPACK** box — saving time and unexpected trips to the dealer/distributor



Each product is **SHRINK-WRAPPED** to ensure it arrives undamaged with all parts accounted for

1/2

Our EasyInstall design, available on 1000+ T&S products, makes one-person installation **FAST & SIMPLE**

Pre-assembled bodies have fewer parts to install, **REDUCING LEAK RISK**



EasyInstall designs take about **HALF THE TIME** to install, saving **50%** on installation costs

Switching from swivel to rigid is easy with the **INCLUDED LOCK WASHER**, which restricts movement of the spout when inserted



If you have a question, we're ready to help — available by phone, email or online chat — with **90%** of calls answered by a person within **30 SECONDS** and emails answered within **24 HOURS**



Our knowledgeable customer service representatives have an average tenure of about **10 YEARS**, so you can be confident you're getting the right information the first time

T&S durability means there's **MINIMAL MAINTENANCE NECESSARY** — reducing repairs, replacement and costly downtime



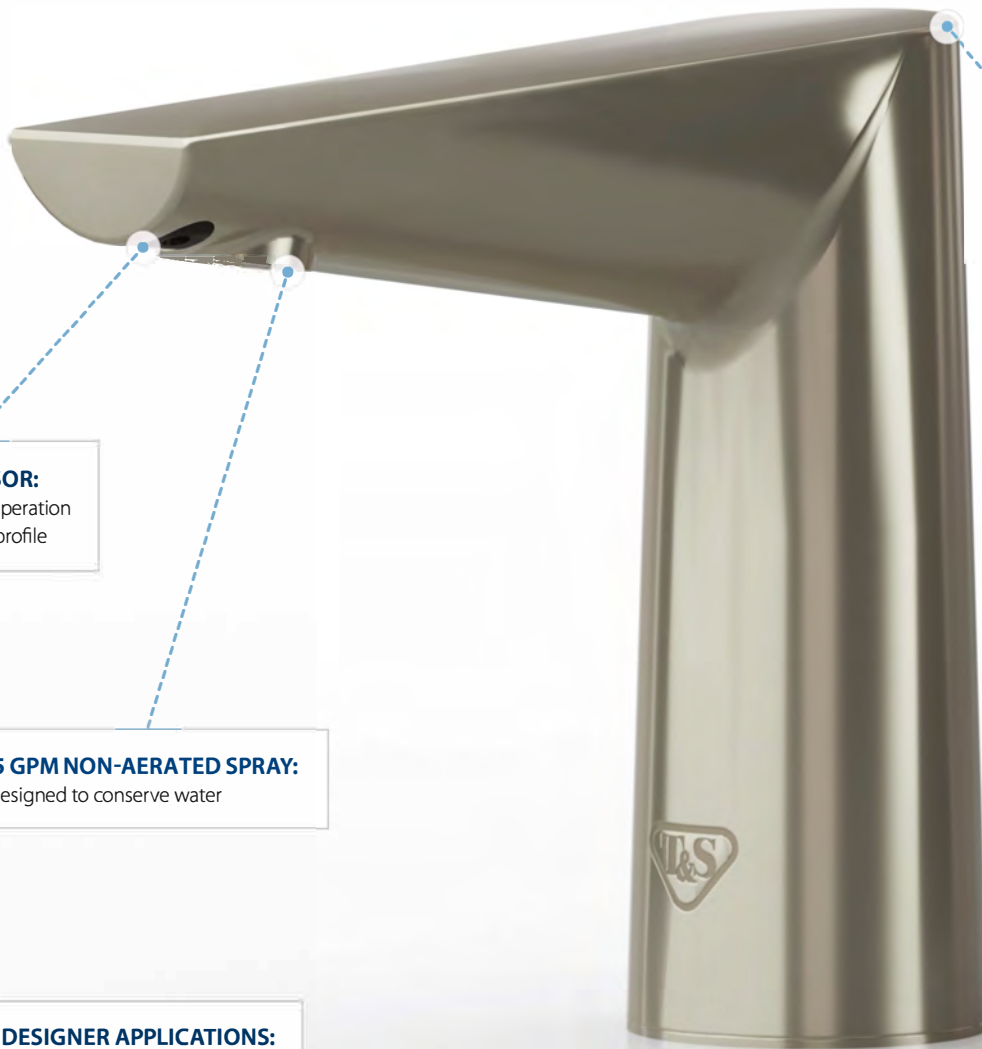
**RELIABILITY BUILT IN™**

# Hands-free designer sensor faucets

NEW!

## WAVECREST™

BY T&S



**HIDDEN SENSOR:**

Allows efficient operation and streamlines profile

**.5 GPM NON-AERATED SPRAY:**

Designed to conserve water

**PERFECT FOR DESIGNER APPLICATIONS:**

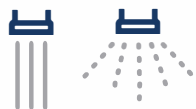
Complements sophisticated designs

**STANDARD OR MEDICAL HEIGHT :**

Fits a wide range of applications

**BELOW-DECK ELECTRONICS:**

Protect parts and create a streamlined aesthetic



**OPTIONAL OUTLET DEVICES**  
available upon request



**CHROME, BRUSHED NICKEL,  
OR MATTE BLACK FINISHES**  
complete high-end look



**7 FAUCET DESIGNS**  
offer a variety of styles



**2 COORDINATING  
SOAP DISPENSERS**  
available

---

# WAVECREST™

---

BY T&S

*designer faucets*



## Hands-free elegance

Contemporary style meets durability in the touchless WaveCrest line by T&S Brass and Bronze Works, a leading commercial-grade plumbing manufacturer with a history of unmatched reliability and durability for 75 years.

**SOPHISTICATED AESTHETIC APPEAL  
WITH LONG-TERM RELIABILITY**

WaveCrests sleek, minimalistic lines make it ideal for modern, high-traffic facilities, such as:

- Contemporary office buildings
- Colleges & universities
- Hospitality & lodging
- Public facilities, such as airports and stadiums
- Communal areas in assisted living facilities
- Restaurant restrooms



# WAVECREST™

BY T&S

TIMELESS ELEGANCE  
*with commercial durability*

WaveCrest models are available in lavatory and medical heights in a variety of styles with brushed nickel or chrome finish options. Featuring below-deck electronics, WaveCrest products offer a sleek look with more intuitive sensor activation and auto-flush capabilities.

**MODELS** All WaveCrest models include a hidden sensor and a recessed 0.5 GPM non-aerated spray device.\*



**ECW-3150**  
**CHROME**  
**FINISH**



**ECW-3150-BN**  
**BRUSHED NICKEL**  
**FINISH**



**ECW-3150-MB**  
**MATTE BLACK**  
**FINISH**



**ECW-3152**  
**CHROME**  
**FINISH**



**ECW-3152-BN**  
**BRUSHED NICKEL**  
**FINISH**



**ECW-3152-MB**  
**MATTE BLACK**  
**FINISH**



**ECW-3153**  
**CHROME**  
**FINISH**



**ECW-3153-BN**  
**BRUSHED NICKEL**  
**FINISH**



**ECW-3153-MB**  
**MATTE BLACK**  
**FINISH**



**ECW-3158**  
**CHROME**  
**FINISH**



**ECW-3158-BN**  
**BRUSHED NICKEL**  
**FINISH**



**ECW-3158-MB**  
**MATTE BLACK**  
**FINISH**



**ECW-3162**  
**CHROME**  
**FINISH**



**ECW-3162-BN**  
**BRUSHED NICKEL**  
**FINISH**



**ECW-3162-MB**  
**MATTE BLACK**  
**FINISH**



**ECW-3163**  
**CHROME**  
**FINISH**



**ECW-3163-BN**  
**BRUSHED NICKEL**  
**FINISH**



**ECW-3163-MB**  
**MATTE BLACK**  
**FINISH**



**ECW-3172**  
**CHROME**  
**FINISH**



**ECW-3172-BN**  
**BRUSHED NICKEL**  
**FINISH**



**ECW-3172-MB**  
**MATTE BLACK**  
**FINISH**

\*Optional outlet devices available upon request:

0.35 GPM Non-Aerated Spray Device (V035 - CALGreen)

1.0 GPM Concealed Aerator (V10 California CEC Title 20)

1.5 GPM Concealed Aerator (V15 EPA WaterSense)

1.5 GPM Concealed Laminar Flow Device (VL15 Healthcare/Medical)



RELIABILITY BUILT IN™  
[www.tsbrass.com](http://www.tsbrass.com)

---

# LAKECREST™

---

BY T&S



RELIABILITY BUILT IN™

*designer faucets*

With the contemporary  
style you love

## Beauty without compromise

Sophisticated design blends with commercial durability in the elegant LakeCrest line by T&S Brass. These stylish faucet designs bring a touch of refinement and legendary reliability to busy, modern facilities.

LakeCrest designer manual faucets are designed and built by T&S Brass and Bronze Works, a leading commercial-grade plumbing manufacturer with a history of unmatched reliability and durability for 75 years.



***T&S MARRIES DURABILITY  
AND ELEGANT MODERN DESIGN***



Matte Black • Brushed Nickel • Polished Chrome

# Designer aesthetic faucets with commercial durability!

## LAKECREST™

BY T&S



**SEMI-PRO FAUCET**  
in premium stainless steel  
with toggle switch  
- aerated flow/powerful rinse



**METERING & CONCEALED WIDESPREAD FAUCETS**  
in polished chrome



**COMMERCIAL-DUTY CONSTRUCTION**  
provides long-lasting durability



**3 FINISHES**  
chrome | brushed nickel  
| matte black

LakeCrest's durable elegance makes this new line ideal for modern, high-traffic facilities, such as:

- Contemporary office buildings
- Colleges & universities
- Hospitality & lodging
- Public facilities, such as airports and stadiums
- Communal areas in assisted living facilities
- Restaurant restrooms

# EVERSTEEL™ T&S Pre-Rinse Units & Faucets



# EVERSTEEL™

The Reliability of T&S, now in  
**PREMIUM STAINLESS STEEL**



## T&S EVERSTEEL LINE A CLASS BY ITSELF



### T&S EVERSTEEL OPTIONS ARE AVAILABLE IN:

- Manual faucets
- Pre-rinse units
- Low profile pre-rinse units
- Spray valves
- Glass fillers
- Accessories

- ✓ Superior-grade stainless steel
- ✓ Unparalleled build quality
- ✓ Surprisingly affordable
- ✓ **Lifetime warranty**



### DESIGNED TO MEET THE FOLLOWING COMPLIANCE / CERTIFICATIONS

- CSA
  - NSF
  - DVGW\*
  - WaterMark\*
  - PUB\*
  - SASO\*
- \*on-going

**TRUE STAINLESS STEEL**  
Heavy-duty construction  
with stainless steel provides  
commercial-duty durability

Brushed Satin Finish

Lead-Free

Add-On Faucets

Easy To Clean

Proven T&S Design

Quarter-Turn Cartridges

S-0113-A12-B

**EVERSTEEL™**  
Designed To Last





S-0113-B

For more model variations, go to [www.tsbrass.com](http://www.tsbrass.com)



S-0133-B

For more model variations, go to [www.tsbrass.com](http://www.tsbrass.com)



Other Models	Description
<a href="#">S-0113-B</a>	
<a href="#">S-0113-BJ</a>	With S-0107-J 4.05 L/min (1.07 GPM) stainless steel spray valve
<a href="#">S-0113-A12-B</a>	With 305 mm (12") stainless steel add-on faucet
<a href="#">S-0113-A12-BJ</a>	With 305 mm (12") stainless steel add-on faucet and S-0107-J spray valve

Other Models	Description
<a href="#">S-0133-B</a>	
<a href="#">S-0133-BJ</a>	With S-0107-J 4.05 L/min (1.07 GPM) stainless steel spray valve
<a href="#">S-0133-A12-B</a>	With 305 mm (12") stainless steel add-on faucet
<a href="#">S-0133-A12-BJ</a>	With 305 mm (12") stainless steel add-on faucet and S-0107-J spray valve

**S-0113-B Series Pre-Rinse Units**

- Stainless steel pre-rinse unit, single-hole deck mount mixing faucet, S-0107 4.35 L/min (1.15 GPM) spray valve, compression cartridges with spring checks, lever handles, 457 mm (18") stainless steel supply hoses with G½" female swivel fittings, adjustable wall bracket.

**S-0133-B Series Pre-Rinse Units**

- Stainless steel pre-rinse unit, 203 mm (8") wall mount mixing faucet, S-0107 4.35 L/min (1.15 GPM) spray valve, compression cartridges with spring checks, lever handles, adjustable ½" NPT female inlets, adjustable wall bracket.

**Recommended Spare Parts**

Part Image	Spare Part	Description
	<a href="#">S002712-30NS</a>	Stainless Steel Replacement Cartridge & Lever Handle Assembly (Hot)
	<a href="#">S002711-30NS</a>	Stainless Steel Replacement Cartridge & Lever Handle Assembly (Cold)
	<a href="#">S012443-30NS</a>	Stainless Steel Replacement Cartridge (Hot)
	<a href="#">S012442-30NS</a>	Stainless Steel Replacement Cartridge (Cold)

**Recommended Spare Parts**

Part Image	Spare Part	Description
	<a href="#">S-0044-H2A</a>	With 305 mm (12") stainless steel add-on faucet
	<a href="#">S-0107</a>	Stainless Steel 4.35 L/min (1.15 GPM) Spray
	<a href="#">S-0107-J</a>	Stainless Steel 4.05 L/min (1.07 GPM) Spray
	<a href="#">S-0107-Y</a>	New Style Stainless Steel 4.35 L/min (1.15 GPM) Spray

For more model variations, go to [www.tsbrass.com](http://www.tsbrass.com)



[SMPK-2DLN-06](#)



[SMPK-8WLN-06](#)

Other Models	Description
<a href="#">SMPK-2DLN-06</a>	
<a href="#">SMPK-2DLN-08</a>	With 203 mm (8") stainless steel add-on faucet
<a href="#">SMPM-2DLN-06</a>	With S-0107-J 4.05 L/min (1.07 GPM) stainless steel spray valve
<a href="#">SMPM-2DLN-08</a>	With 203 mm (8") stainless steel add-on faucet and S-0107-J 4.05 L/min (1.07 GPM) stainless steel spray valve

Other Models	Description
<a href="#">SMPK-8WLN-06</a>	
<a href="#">SMPM-8WLN-06</a>	With S-0107-J 4.05 L/min (1.07 GPM) stainless steel spray valve

**SMPK-2DLN-x and SMPM-2DLN-x Low Profile Pre-Rinse Units**

- Stainless steel low profile pre-rinse unit, single-hole deck mount mixing faucet, 152 mm (6") swing nozzle, S-0107 4.35 L/min (1.15 GPM) spray valve, compression cartridges with spring checks, lever handles, 457 mm (18") stainless steel supply hoses with G½" female swivel fittings, adjustable wall bracket.

**SMPK-8WLN-06 and SMPM-8WLN-06 Low Profile Pre-Rinse Units**

- Stainless steel low profile pre-rinse unit, 203 mm (8") wall mount mixing faucet, 152 mm (6") swing nozzle, S-0107 4.35 L/min (1.15 GPM) spray valve, compression cartridges with spring checks, lever handles, adjustable ½" NPT female inlets, adjustable wall bracket.

**Recommended Spare Parts**

Part Image	Spare Part	Description
	<a href="#">S002712-30NS</a>	Stainless Steel Replacement Cartridge & Lever Handle Assembly (Hot)
	<a href="#">S002711-30NS</a>	Stainless Steel Replacement Cartridge & Lever Handle Assembly (Cold)
	<a href="#">S012443-30NS</a>	Stainless Steel Replacement Cartridge (Hot)
	<a href="#">S012442-30NS</a>	Stainless Steel Replacement Cartridge (Cold)

**Recommended Spare Parts**

Part Image	Spare Part	Description
	<a href="#">S-0024-H2A</a>	610 mm (24") Flexible Stainless Steel Hose
	<a href="#">S-0107</a>	Stainless Steel 4.35 L/min (1.15 GPM) Spray
	<a href="#">S-0107-J</a>	Stainless Steel 4.05 L/min (1.07 GPM) Spray
	<a href="#">S-0107-Y</a>	New Style Stainless Steel 4.35 L/min (1.15 GPM) Spray

For more model variations, go to [www.tsbrass.com](http://www.tsbrass.com)



S-0231

For more model variations, go to [www.tsbrass.com](http://www.tsbrass.com)



S-0300

**S-0231 Pantry Faucet**

- Stainless steel 203 mm (8") wall mount mixing faucet, 305 mm (12") swing nozzle, compression cartridges with spring checks, lever handles, adjustable 1/2" NPT female inlets.

**S-0300 Pantry Faucet**

- Stainless steel single-hole deck mount mixing faucet, 145 mm (6") gooseneck nozzle, 457 mm (18") stainless steel supply hoses with G1/2" female swivel fittings.

Recommended Spare Parts

Part Image	Spare Part	Description
	<a href="#">S002712-30NS</a>	Stainless Steel Replacement Cartridge & Lever Handle Assembly (Hot)
	<a href="#">S002711-30NS</a>	Stainless Steel Replacement Cartridge & Lever Handle Assembly (Cold)
	<a href="#">S012443-30NS</a>	Stainless Steel Replacement Cartridge (Hot)
	<a href="#">S012442-30NS</a>	Stainless Steel Replacement Cartridge (Cold)

Recommended Spare Parts

Part Image	Spare Part	Description
	<a href="#">S062X</a>	S-0231: Stainless Steel 305 mm (12") Swing Nozzle
	<a href="#">S133X</a>	S-0300: Stainless Steel 145 mm (6") Gooseneck Nozzle
	<a href="#">014200-45</a>	Star Washer, Anti-Rotation
	<a href="#">011643-45</a>	Swivel Nozzle Repair Kit



S-0113-U12-CR-B



S-0133-U12-B

**S-0113-U12-CR-B UltraRinse SS Pru Units**

Single hole stainless steel deck mount mixing faucet, stainless steel add-on faucet, stainless steel 12" swing nozzle with stream regulator outlet, stainless steel 1.5 GPM 10 7/16" multiple tip swivel spray arm, stainless steel 1.15 GPM spray valve, stainless steel ceramic cartridges with check valves, stainless steel lever handles, 18" flexible stainless steel supply hoses with G½ female swivel connections, stainless steel 6" adjustable wall bracket, stainless steel spray valve holder and stainless steel overhead spring.

**S-0133-U12-B UltraRinse SS Pru Units**

8" wall mount mixing faucet with stainless steel body, stainless steel add-on faucet, stainless steel 12" swing nozzle with stream regulator outlet, stainless steel 1.5 GPM 10 7/16" multiple tip spray arm, stainless steel 18" riser, 44" flexible stainless steel hose with heat resistant handle, stainless steel 1.15 GPM blue spray valve, stainless steel compression cartridges with spring checks, stainless steel lever handles, stainless steel 1/2" NPT female inlets, stainless steel 6" adjustable wall bracket, stainless steel spray valve holder and stainless steel overhead spring.

Recommended Spare Parts

Part Image	Spare Part	Description
	<a href="#">S002712-30NS</a>	Stainless Steel Replacement Cartridge & Lever Handle Assembly (Hot)
	<a href="#">S002711-30NS</a>	Stainless Steel Replacement Cartridge & Lever Handle Assembly (Cold)
	<a href="#">S012443-30NS</a>	Stainless Steel Replacement Cartridge (Hot)
	<a href="#">S012442-30NS</a>	Stainless Steel Replacement Cartridge (Cold)

Recommended Spare Parts

Part Image	Spare Part	Description
	<a href="#">S-0044-HZA</a>	With 305 mm (12) stainless steel add-on faucet
	<a href="#">S-0107</a>	Stainless Steel 4.35 L/min (1.15 GPM) Spray
	<a href="#">S-0107-J</a>	Stainless Steel 4.05 L/min (1.07 GPM) Spray
	<a href="#">S-0107-Y</a>	New Style Stainless Steel 4.35 L/min (1.15 GPM) Spray



**S-0107**

- Stainless steel 4.35 L/min (1.15 GPM) spray valve (blue).



**S-0107-J**

- Stainless steel 4.05 L/min (1.07 GPM) spray valve (blue).



**S-0107-Y**

- Stainless steel 4.35 L/min (1.15 GPM) new style spray valve (blue).



**S059X**

- Stainless steel 153 mm (6") swing nozzle with stream regulator outlet.



**S060X**

- Stainless steel 204 mm (8") swing nozzle with stream regulator outlet.



**S062X**

- Stainless steel 305mm (12") swing nozzle with stream regulator outlet.



**S133X**

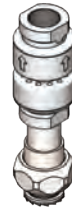
- Stainless steel swivel gooseneck, 145 mm (6") reach, 261 mm (10") height, with stream regulator outlet.



**S-0155-LNEZ**

- Stainless steel EasyInstall add-on faucet, ¼ turn compression cartridge, lever handle, without nozzle.

For all parts & accessories, please visit [tsbrass.com](http://tsbrass.com)



**S-0970-FEZ**

- Stainless steel EasyInstall vacuum breaker kit, dual check valve with intermediate vent, designed for continuous pressure.



**S-TEE-RGD**

- Stainless steel rigid tee assembly, ¾" NPT female x ¾" NPT male, designed for use on pre-rinse riser pipe.



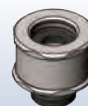
**S-0200-LN**

- Stainless steel single-hole deck mount mixing faucet base, accepts swivel nozzles, 457 mm (18") stainless steel supply hoses with G½" female swivel fittings, without nozzle.



**S-0230-LN**

- Stainless steel 203 mm (8") wall mount mixing faucet base, accepts swivel nozzles, adjustable ½" NPT female inlets, without nozzle.



**S018200-30**

- Stainless steel live swivel for pre-rinse hoses and spray valves.



**S020795-30**

- Stainless steel new style grip handle (blue).

## T&S Pre-Rinse Units





# Customize Your Pre-Rinse Unit!



Faucet Body



Spray Valve





Add-On Faucet + Nozzle + Aerator + Wall Bracket =



Nozzle lengths range from 15 cm - 45 cm (6" - 18") including double-joint nozzle

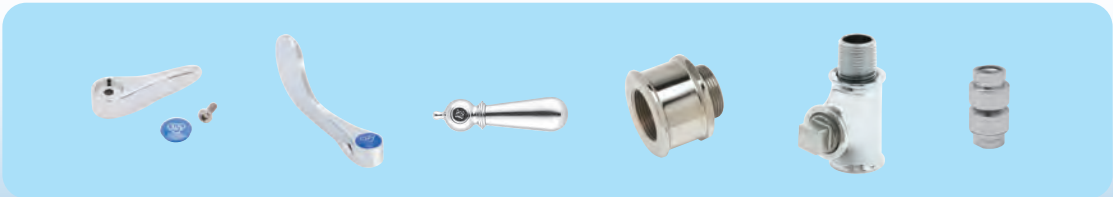


Flow rates range from 1.89 L/min - 8.3 L/min (0.5 - 2.2 GPM)



B-0113-12-CR-BC

Other Faucet Options

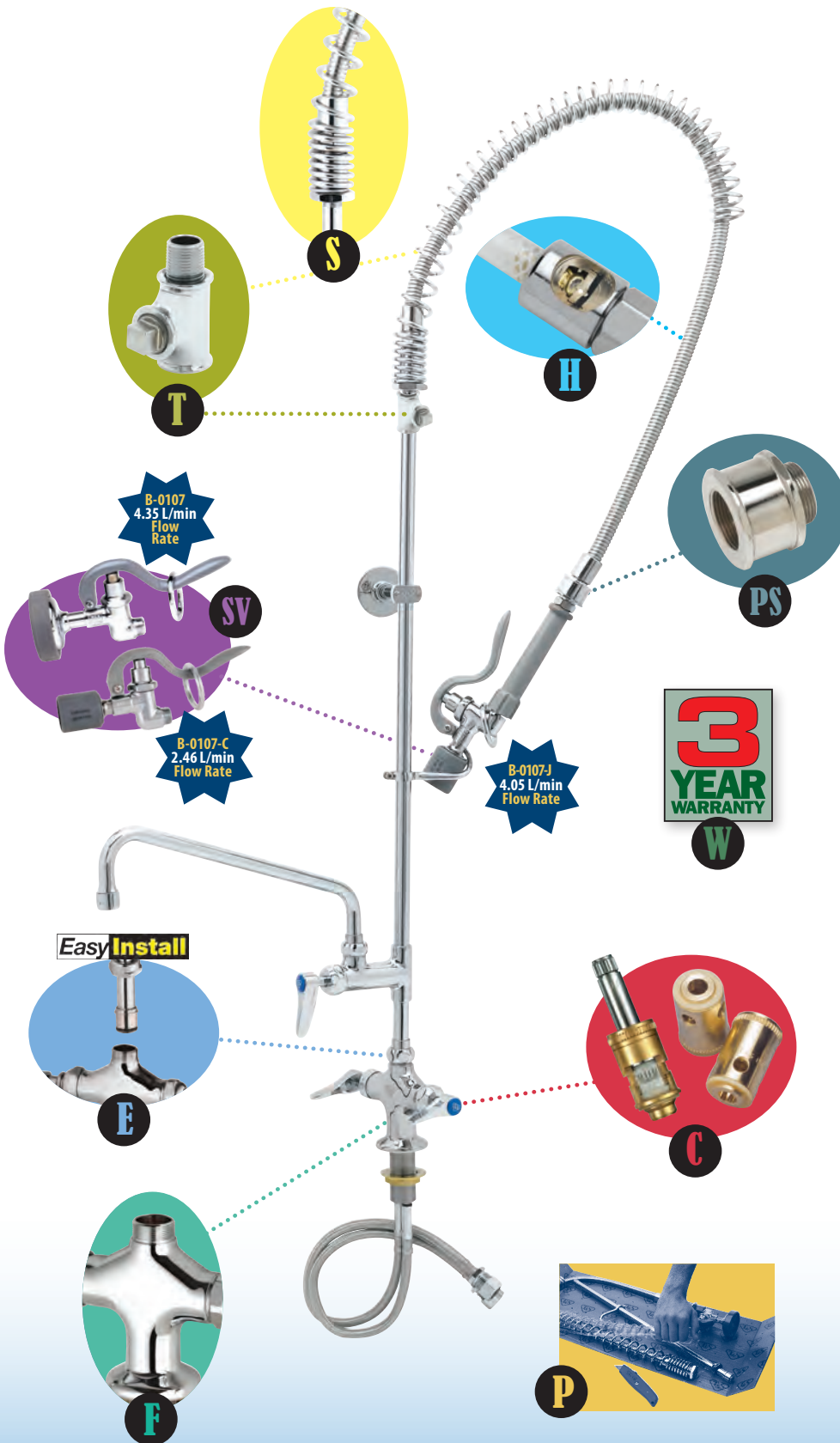




RELIABILITY BUILT IN™

**EasyInstall**

## Superior Features: T&S Pre-Rinse Units



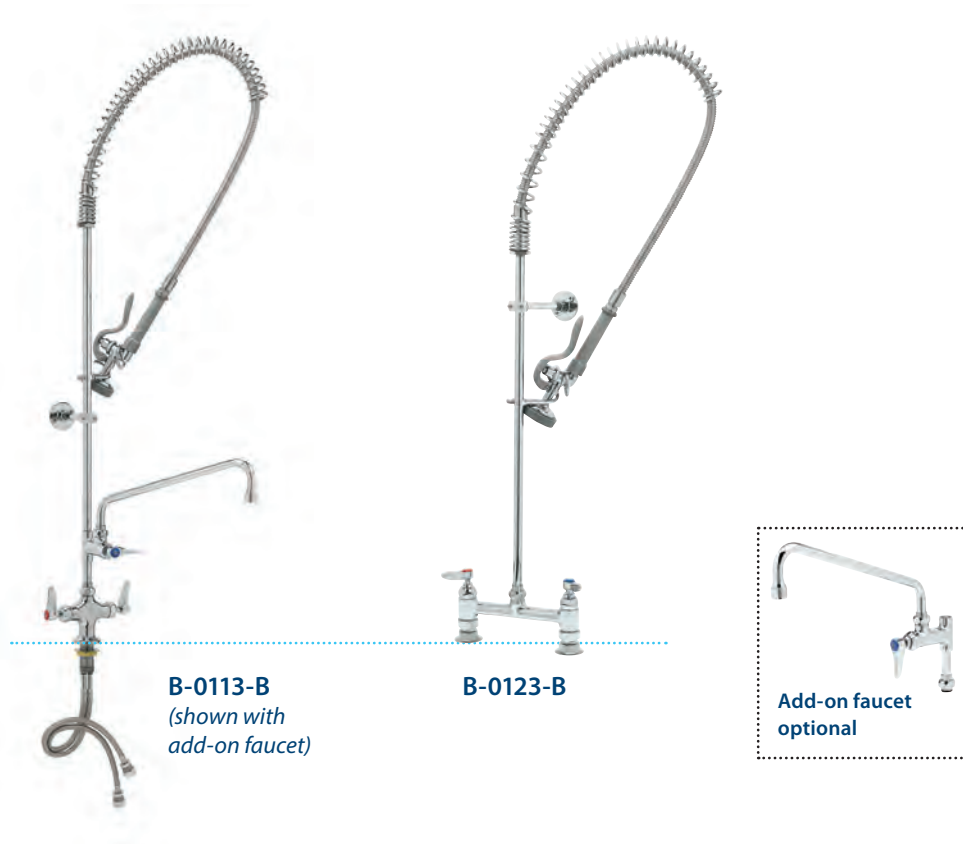
- C CARTRIDGES**
  - Interchangeable
  - Self-contained and easily replaced
  - Spring checks or Check valves
- E EASYINSTALL**
  - Patented design
  - Unique “pop-and-lock” riser connection that takes as little as 10 minutes to install
- F FAUCETS**
  - Forged one-piece base faucet eliminates leaks
  - Copper layer over casting makes smoother surface
  - Thick chrome plating
- H HOSES**
  - Stainless steel hoses with double interlocked covers for long life
  - Sealed ends prevent tears
  - Vinyl nylon reinforced inner hose tested to 1200 PSI
- P PACKAGING**
  - Pre-assembled parts are ready for quick installation
  - Fewer parts to misplace
- PS PRE-RINSE SWIVEL**
  - Provides 360° rotation capability
  - Ergonomic and ultra-smooth
  - Significantly cuts down on user strain and fatigue
- S SPRING**
  - Specially designed spring reinforced at the stress point where hose connects
  - Protects and extends life of hose
- SV SPRAY VALVES**
  - Significant water savings with low-flow rates
  - Uncompromising performance
  - Tested to over 1.5 million cycles
- T ACCESSORY TEE**
  - B-TEE-RGD provides additional water source in kitchen
- W WARRANTY**
  - Long three-year warranty on your T&S EasyInstall PRU



RELIABILITY BUILT IN™

**EasyInstall**

## Pre-Rinse Units: Deck-Mount Options



**B-0113-B**  
(shown with  
add-on faucet)

**B-0123-B**



Add-on faucet  
optional

**B-0113-B**

- Single hole, deck-mount mixing faucet with B-0107 spray valve with 4.35 L/min (1.15 GPM) and wall bracket

**B-0123-B**

- Two-hole, 8-inch deck-mount mixing faucet with B-0107 spray valve with 4.35L/min (1.15 GPM) and wall bracket

Model	Spray Valve	Spray Valve Flow Rate	+ Add-On Faucet	Mount	Handle	+ PRU Swivel	Overhead Style	+ Tee
 B-0113-B	B-0107	4.35 L/min (1.15 GPM)	Optional	Deck	Lever	Optional	Spring	Optional
 B-0123-B	B-0107	4.35 L/min (1.15 GPM)	Optional	Deck	Lever	Optional	Spring	Optional

## T&S Add-On Faucets



**B-0156-EZ**

Add-On Faucet	Swing Nozzle Length
B-0155-LNEZ	EasyInstall add-on faucet only, no nozzle
B-0155-05	15 cm (6")
B-0156-EZ	EasyInstall, 30 cm (12")
B-0157-05	45 cm (18")



RELIABILITY BUILT IN™

**EasyInstall**

## Pre-Rinse Units: Wall-Mount Options



Add-On Faucet	Swing Nozzle Length
B-0155-LNEZ	EasyInstall add-on faucet only, no nozzle
B-0155-05	15 cm (6")
B-0156-EZ	EasyInstall, 30 cm (12") (shown above)
B-0157-05	45 cm (18")

### B-0131-B and B-0133-B

- Two-hole, 20 cm (8") wall-mount mixing faucets with B-0107 spray valve with 4.35L/min (1.15 GPM) and wall bracket

	Model	Spray Valve	Spray Valve Flow Rate	+ Add-On Faucet	Mount	Handle	+ PRU Swivel	Overhead Style	+ Tee
•••••	B-0131-B	B-0107	4.35 L/min (1.15 GPM)	Optional	Wall	Lever	Optional	Swivel arm, 30 cm (12")	Optional
•••••	B-0133-B	B-0107	4.35 L/min (1.15 GPM)	Optional	Wall	Lever	Optional	Spring	Optional



RELIABILITY BUILT IN™

# Pre-Rinse Units: Wall-Mount Options

Pre-Rinse Unit with



**UltraRinse**  
Sprayer



**B-0133-U12-B**  
with ULTRARINSE



UltraRinse Model	Sprayer Arm Length with Diverter Handle (for Swing Nozzle Length)
U12-KIT	Sprayer arm with 3 spray tips, 25 cm (10") (for a 30 cm (12") nozzle)
U18-KIT	Sprayer arm with 5 spray tips, 40 cm (16") (for a 45 cm (18") nozzle)

See p. 36 for more about [UltraRinse models](#)

**B-0133-U12-B**

- ULTRARINSE pre-rinse unit: single-hole, wall-mount mixing faucet, with 30 cm (12") add-on faucet, 25 cm (10") ULTRARINSE sprayer arm with 3 angled spray tips, B-0107 spray valve with 4.35 L/min (1.15 GPM), wall bracket



Model	Spray Valve	Spray Valve Flow Rate	Add-On Faucet Nozzle	UltraRinse Sprayer Length	UltraRinse Sprayer Tips	Mount	Handle	Overhead Style
B-0133-U12-B	B-0107	4.35 L/min (1.15 GPM)	30 cm (12")	25 cm (10")	3	Wall	Lever	Spring



RELIABILITY BUILT IN™

## T&S Pre-Rinse Spray Valves

# T&S PRU Spray Valves



- B-0107**  
4.35 L/min  
(1.15 GPM)

Spray valve with gray rubber bumper and shower spray face
- B-0107-C**  
2.46 L/min  
(0.65 GPM)

Spray valve, gray, low-flow spray tip
- B-0107-J**  
4.05 L/min  
(1.07 GPM)

Spray valve, gray, low-flow spray tip
- B-0108**  
4.05 L/min  
(1.07 GPM)

JeTSpray valve
- B-0108-C**  
2.46 L/min  
(0.65 GPM)

JeTSpray valve, low-flow

## T&S Spray Patterns

**B-0107** Spray Valve



**B-0107-C** Low Flow Spray Valve



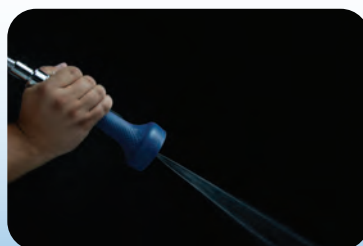
**B-0107-J** Spray Valve



**B-0108** JetSpray Valve



**B-0108-C** Low Flow JetSpray Valve





RELIABILITY BUILT IN™



## Equip Pre-Rinse Units



### 5PR-1500

- Single-hole, single-temperature, deck-mount mixing faucet with 5SV spray valve with 4.35L/min (1.15 GPM) and wall bracket

Model	Spray Valve	Spray Valve Flow Rate	Add-On Faucet	Add-On Faucet Flow Rate	Handle
5PR-1500	5SV	4.35 L/min (1.15 GPM)	–	–	Lever



### 5PR-2500

- Single-hole, deck-mount mixing faucet with 5SV spray valve with 4.35L/min (1.15 GPM) and wall bracket

### 5PR-2512

- Single-hole, deck-mount mixing faucet with 5SV spray valve with 4.35L/min (1.15 GPM), wall bracket, and 30 cm (12") add-on faucet

Model	Spray Valve	Spray Valve Flow Rate	Add-On Faucet	Add-On Faucet Flow Rate	Handle
5PR-2500	5SV	4.35 L/min (1.15 GPM)	–	–	Lever
5PR-2512	5SV	4.35 L/min (1.15 GPM)	30 cm (12")	Full flow	Lever



RELIABILITY BUILT IN™



## Equip Pre-Rinse Units



### 5PR-8D00

- Two-hole, 20 cm (8") deck-mount mixing faucet with 4.35L/min (1.15 GPM) spray valve, and wall bracket

### 5PR-8D12

- Two-hole, 20 cm (8") deck-mount mixing faucet with 4.35L/min (1.15 GPM) spray valve, wall bracket, and 30 cm (12") add-on faucet

Model	Spray Valve	Spray Valve Flow Rate	Add-On Faucet	Add-On Faucet Flow Rate	Handle
5PR-8D00	5SV	4.35 L/min (1.15 GPM)	–	–	Lever
5PR-8D12	5SV	4.35 L/min (1.15 GPM)	30 cm (12")	Full flow	Lever



### 5PR-8W00

- Two-hole, 20 cm (8") wall-mount with 4.35 L/min (1.15 GPM) spray valve, and wall bracket

### 5PR-8W12

- Two-hole, 20 cm (8") wall-mount with 4.35 L/min (1.15 GPM) spray valve, wall bracket, and 30 cm (12") add-on faucet

Model	Spray Valve	Spray Valve Flow Rate	Add-On Faucet	Add-On Faucet Flow Rate	Handle
5PR-8W00	5SV	4.35 L/min (1.15 GPM)	–	–	Lever
5PR-8W12	5SV	4.35 L/min (1.15 GPM)	30 cm (12")	Full flow	Lever



RELIABILITY BUILT IN™



## UtilityLine Pre-Rinse Units



Sized For Small Spaces

### EX-1DMP06-H

- Single-hole, single-lever deck-mount mixing, with full-flow spray valve, wall bracket, and 15 cm (6") add-on faucet

### EX-1DMP08-H

- Single-hole, single-lever deck-mount mixing, with full-flow spray valve, wall bracket, and 20 cm (8") add-on faucet

Model	Body	Spray Valve	Spray Valve Flow Rate	Add-On Faucet	Height
EX-1DMP06-H	Single-hole, deck-mount	5SV-H	17 L/min (4.50 GPM)	15 cm	Compact, 63 cm (24¾")
EX-1DMP08-H	Single-hole, deck-mount	5SV-H	17 L/min (4.50 GPM)	20 cm	Compact, 63 cm (24¾")



### EX-1DP00-H

- Single-hole, single-lever deck-mount mixing, with full-flow spray valve and wall bracket

### EX-1DP12-H

- Single-hole, single-lever deck-mount mixing, with full-flow spray valve, wall bracket, and 30 cm (12") add-on faucet

Model	Body	Spray Valve	Spray Valve Flow Rate	Add-On Faucet	Height
EX-1DP00-H	Single-hole, deck-mount	5SV-H	17 L/min (4.50 GPM)	–	Full, 99 cm (39")
EX-1DP12-H	Single-hole, deck-mount	5SV-H	17 L/min (4.50 GPM)	30 cm	Full, 107 cm (42¼")



RELIABILITY BUILT IN™

**THE**  
**utilityline**

## UtilityLine Pre-Rinse Units



### EX-6WP00-H

- Two-hole, 15 cm (6") wall-mount single-lever mixing with full-flow spray valve, and wall bracket

### EX-6WP12-H

- Two-hole, 15 cm (6") wall-mount single-lever mixing with full-flow spray valve, wall bracket, and 30 cm (12") add-on faucet

Model	Body	Spray Valve	Spray Valve Flow Rate	Add-On Faucet	Height
EX-6WP00-H	Two-hole, wall-mount	5SV-H	17 L/min (4.50 GPM)	–	Full, 96 cm (37¾")
EX-6WP12-H	Two-hole, wall-mount	5SV-H	17 L/min (4.50 GPM)	30 cm (12")	Full, 102 cm (40¼")



RELIABILITY BUILT IN™

## Check Out KLARCO SHRINK!

An exciting new line offered by Klarco, a T&S company that manufactures these versatile and affordable foodservice small Pre-Rinse Units. **We present a distinctive and innovative Italian-designed solution for your kitchen!**

**CHOOSE YOUR HEIGHT:** SHRINK pre-rinse come in two heights: 60 and 80 cm

SHRINK 80  
CENTIMETERS

SHRINK 60  
CENTIMETERS



**CHOOSE YOUR COLOR:** Your choice of three great colors: blue, grey, and black



**CHOOSE YOUR FAUCET:** Seven different faucets offered for a perfect custom selection

**CHOOSE HUNDREDS OF OTHER OPTIONS!  
CHOOSE SHRINK**

SHRINK small Pre-Rinse Units are built for professional kitchens with durable materials and have outstanding features:

- Countless possibilities are available for kitchens with small spaces
- Easy to install and no need for a wall bracket
- Flexible and functional, with a built-in add-on faucet that can be rotated 360°
- One great spray valve in three coordinated colors: blue, grey and black





RELIABILITY BUILT IN™



## Klarco Pre-Rinse Units



2S.2403.19N.S3



3S.2403.S1.S3

- STYL Single hole, deck-mount monoblock faucet mixing temperature pre-rinse unit with full-flow spray valve, add-on faucet, and wall bracket

Model	Inlet Type	Mounting Hole	Body	Spray Valve Flow Rate	Handle Type	Add-On Faucet	Color
2S.2403.19N.S3	Male G ½	29 mm	Single-hole, deck-mount	Full flow	3Pe compression	None	Black
3S.2403.S1.S3	Male G ½	29 mm	Single-hole, deck-mount	Full flow	3Pe compression	S-shaped Swivel	Black



RELIABILITY BUILT IN™

◀ KLARCO®

## Klarco Pre-Rinse Units



2S.4101.19BG.S3



3S.4101.19N.S3

- STYL double-hole, wall-mount pre-rinse unit, mixing temperature faucet with eccentric fittings, with full-flow spray valve, add-on faucet, and wall bracket

Model	Inlet Type	Mounting Hole	Body	Spray Valve Flow Rate	Handle Type	Add-On Faucet	Color
2S.4101.19BG.S3	Male G ½	–	Double-hole, wall-mount	Full flow	3Pe compression	None	Blue/Gray
3S.4101.19N.S3	Male G ½	–	Double-hole, wall-mount	Full flow	3Pe compression	S-shaped Swivel	Black

# ULTRARINSE™



Another T&S innovation includes our patented **ULTRARINSE™ Pre-Rinse Units and Faucets**

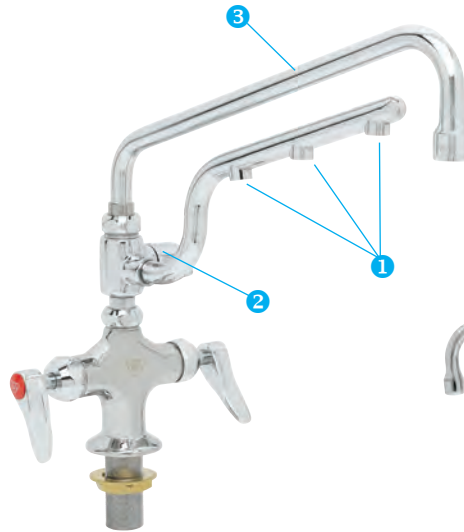
- Fan spray tips are angled to maximize surface area contact and clean and rinse more quickly
- Hands-free operation allows for efficient two-handed work
- Constant, gentle low-flow of water
- Perfect as a vegetable rinser and thawing foods
- Quickly cleans and rinses away particulates and bacteria
- Saves water and reduces food damage and waste
- Retrofit Kits available for T&S pre-rinse units and faucets

**All with the reliability, quality, and sustainability-focus you've come to expect from T&S.**



**B-0133-U12-B  
ULTRARINSE PRE-RINSE UNIT**

- 30 cm (12") add-on faucet
- 25 cm (10") UltraRinse



- 1 3 Fan spray aerator tips on 25 cm (10") UltraRinse (available with 5 tips shown below)
- 2 UltraRinse has dual functions – Handle switches between Spray and Fill:
  - Spray activates spray fan tips 1
  - Fill activates nozzle 3



Also available:  
**ULTRARINSE 30 cm (12") with 5 tips**

**B-0201-U12  
ULTRARINSE FAUCET**

- 30 cm (12") add-on faucet
- 25 cm (10") Ultrarinse

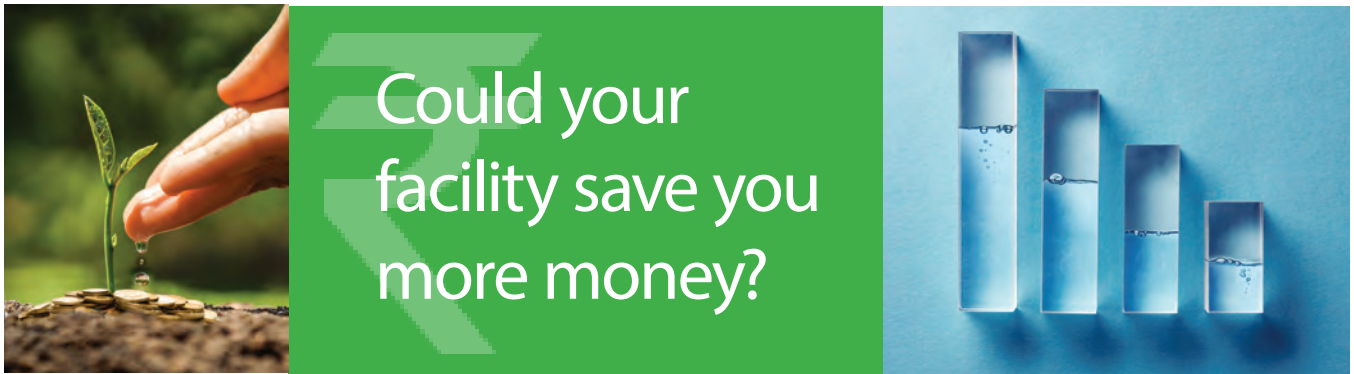
**SAVE** TIME  
WATER  
MONEY

*Want to learn more about UltraRinse?*

Contact our India and Subcontinent  
T&S Sales Reps, and visit  
[www.tsbrass.com/ultrarinse](http://www.tsbrass.com/ultrarinse)



**RELIABILITY BUILT IN™**



## T&S Aerators

Hand-washing is an essential part of operating a kitchen safely. But with many hand sink faucets delivering water at up to 8.33 L/min (2.2 GPM) or more, **the amount of water – and money – wasted can really add up.** By simply adding T&S' low-flow aerators to your existing faucets, you can significantly reduce the amount of water wasted while still maintaining a clean and healthy kitchen.

**₹ 60,000\***  
(or the equivalent in your currency)  
**in annual savings**

*Typical QSR average savings after changing out one (1) spray valve and adding a low-flow aerator to two (2) handsink faucets.*

Even minor investments have a huge impact on saving water, energy, and money! The larger the facility and the more changes you make, the higher the savings will be.

Here are two new aerator kits available in master packs of six that will make it easy for you to save money now:

### T&S Aerator Kit EU-F05-B6

Non-aerated spray device and washer 1.9 L/min (0.5 GPM); package of 6



### T&S Aerator Kit EU-F10-B6

Low flow aerator and washer 3.8 L/min (1.0 GPM); package of 6



If you would like more information on how you can save water and decrease your water-related costs, go to [www.tsbrass.com](http://www.tsbrass.com) and see the *T&S Cost Savings Calculator for Aerators*.



## T&S Aerators Can Save You Thousands a Year\* In Water, Energy and Sewer Costs

*After delivering innovative solutions to high-volume kitchens for decades, our experts know a few things about saving water, energy and money. That's why we developed our **exclusive water audit procedure** – a systematic, validated process that helps operators identify cost-saving opportunities and take action.*

## It's Simple – and FREE of Charge

**With a T&S water audit, you get:**

- A comprehensive review of your operation, including faucet and spray valve applications.
- A specific list of product recommendations based on measurements we collect and additional figures you provide, plus a detailed report of your projected savings.

\* Savings based on average QSR restaurant costs for operations involving pre-rinsing and handwashing. See the *T&S Water Savings Calculators* at [www.tsbrass.com](http://www.tsbrass.com) for more specific information and to plug in more specific values related to your usage. Amount can vary according to your current costs of water, sewer and energy.



RELIABILITY BUILT IN™

# FAUCETS AND SPRAY VALVES:

Aerator flow



**T&S Aerators**  
Standard and Vandal-resistant

3.8 L/min - 8.3 L/min  
(1.0 GPM - 2.2 GPM)

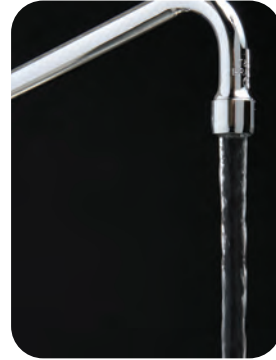
Spray Device flow



**T&S Spray Devices**  
Non-aerated Standard and Vandal-resistant

1.3 L/min - 1.9 L/min  
(0.35 GPM - 0.50 GPM)

Laminar flow



**T&S Laminar Flow Devices**  
Non-aerated Stream

4.5 L/min - 8.3 L/min  
(1.2 GPM - 2.2 GPM)



**T&S Standard Flow Spray Valve** 4.35 L/min (1.15 GPM)

ADVANTAGES of switching from FULL FLOW 21.2 L/min (5.6 GPM) to **T&S STANDARD FLOW 4.35 L/min (1.15 GPM)**:

- ▶ **SAVE WATER** • Save 1,091,445 liters of water per year per spray valve
- ▶ **SAVE TIME** • More efficient cleaning ability
- ▶ **SAVE ENERGY** • Less water means less water to heat
- ▶ **SAVE MONEY** • You will notice the difference when you look at your utility bills
- ▶ **SAME SPRAY VALVE STYLE YOU'RE USED TO**

**SAVE** ENERGY  
WATER  
MONEY

# HOW T&S CAN HELP YOU **SAVE ENERGY WATER MONEY**



RELIABILITY BUILT IN™

PRODUCTS · RESOURCES · **SUSTAINABILITY** · MARKETS · INTERNATIONAL · ABOUT · CONTACT · LOGIN

## Cost Savings Calculator for Pre-Rinse Spray Valves and Aerators

Stop throwing money down the drain – use the water-savings calculator below to see how much T&S's Pre-Rinse Spray Valves and Low Flow Aerators can save you.



**Calculator Settings**

Language: English | Currency: INR | Measurement: Metric

SPRAY VALVE SAVINGS		AERATOR SAVINGS		CARTRIDGE SAVINGS	
Standard spray valve:	16.09 L/min	Standard faucet water flow rate:	8.33 L/min	<b>Standard Compression (not quarter-turn)*</b>	
T&S model flow rate:	2.46 L/min	T&S low-flow aerator water flow rate:	3.79 L/min	2.8 bar to both inlets:	68.36 L/min
Operating hours per day:	3	Number of employees/day in kitchen:	3	4.1 bar to both inlets:	87.41 L/min
Operating days per year:	365	Number of handwashes/employee/day:	8	<b>T&amp;S Cerama Cartridge (quarter-turn)</b>	
Total liters saved in year:	895,491	Operating days per year:	365	2.8 bar to both inlets:	48.19 L/min
		Seconds per handwash:	30	4.1 bar to both inlets:	55.19 L/min
		Total liters saved in year:	13,257	* Data from testing B-0230 faucet with standard 457 mm nozzle, with index tip (screen outlet), no aerator	

### The Sustainability Standard

LEED (Leadership in Energy and Environment Design) is an internationally recognized third-party verification for high-performance sustainable buildings. Administered by the USGBC, LEED certification can apply to new construction, renovations, among many other project types. The latest LEED standard, v4, addresses increasing concern for conserving fresh water. T&S Brass is proud to offer a number of products that drastically cut water usage.



See the Cost Saving Calculators online at [www.tsbrass.com](http://www.tsbrass.com)

## Sustainability Through Water Conservation

### Water Audits with T&S Brass and Water Availability

Although about 70% of the world’s surface consists of water, only 1% is actually accessible to us. **At the current growth rate, the world’s population is estimated to reach an incredible 9 billion people by the year 2040.** This means the available water per person will continuously decrease and we must do everything we can to sustain our populations and earth.

At T&S Brass and Bronze Works Inc., we take water conservation very seriously. We have therefore created a **free-of-charge water audit program** through which we can empirically measure the amount of water you are using in order to create a personalized and accurate estimate of how much water you could save. Concurrently, the correlating sewer and energy costs will be calculated for you by us as well, so you can see clearly how much you are wasting and overpaying.



**FACT:** Although about 70% of the world’s surface consists of water, only 1% is actually accessible to us.

**FACT:** The world’s population is estimated to reach an incredible 9 billion people by the year 2040.



RELIABILITY BUILT IN™

PRODUCTS • RESOURCES • SUSTAINABILITY • MARKETS • INTERNATIONAL • ABOUT • CONTACT • LOGIN

LEED  
Sustainable Products  
Lead Free  
Cost-Savings Calculators

Pre-Rinse Spray Valve  
Low Flow Aerator  
FSTC Spray Valve



### Cost Savings Calculator for Aerators

Stop throwing money down the drain – use the water-savings calculator below to see how much T&S’s Low Flow Aerators can save you.

⚙️ Calculator Settings

Language: English

Currency: INR

Measurement: Metric

Aerator Performance and Usage
Legend: ? Get Explanation | ⌛ Reset field to default

Your Input

T&S low-flow aerator water flow rate:  liters/minute

Current faucet water flow rate:  liters/minute

Number of employees/day in kitchen:

**AERATOR SAVINGS**

Standard faucet water flow rate:	8.33 L/min
T&S low-flow aerator water flow rate:	1.89 L/min
Number of employees/day in kitchen:	3
Number of handwashes/employee/day:	8
Operating days per year:	365
Seconds per handwash:	20
<b>Total liters saved in year:</b>	<b>18,805</b>

## T&S Sensor Faucets





RELIABILITY BUILT IN™



## Electronic Sensor Faucets

### Why T&S Sensor Faucets Are Great

- Hands-free washing greatly reduces risk of contamination
- Sensor-operated faucets conserve water and save energy
- Water-resistant circuit control module
- Each model comes with the convenience of electric plug-in (AC) and battery (DC) power options
- Convenient for people with disabilities
- Adjustable temperature control mixing valve
- Proven electronic technology
- Adjustable automatic time-out features (6)
- Adjustable water shut-off delays (4)
- Optional auto-flush feature flows water for 30 seconds after every 12 inactive hours
- Chrome plated brass
- Troubleshooting LED indicator lights
- Scratch-resistant sensor lens
- Filtered solenoid valve with serviceable strainer filter
- Modular quick-release sensor connections (below deck models only)
- Low battery indicator light
- Pre-assembled with appropriate mounting hardware included
- Vandal-resistant outlets
- Check valves for cross-flow prevention in all models
- Requires no sealants for easy installation



## Above Deck Electronic (ADE) Sensor Faucets

*Feature Easy Controls and Water Savings*

### NEW MODELS in T&S's ChekPoint™ Above Deck Electronic Faucets

The EC-3130, EC-3132 and EC-3142 are the newest additions to the T&S ChekPoint Above Deck Electronic faucet line. Above Deck Electronics (ADE) allow for easy control, installation and maintenance.

Like all our ChekPoint faucets, these single hole above deck sensor faucets are designed to save water, money and energy with adjustable timed water flow and a choice of low flow vandal-resistant outlets.

T&S ADE sensor faucets are packed with features, including above deck temperature control with optional side control lever. All three base models are available with a hydrogenerator (e.g. EC-3142-HG) or retrofit (EC-HYDROGEN), and with 4" (-4DP) or 8" (-8DP) deck plates. Other options are available.



EC-3132



EC-3130-4DP



EC-3130

**SAVE ENERGY WATER MONEY**



EC-3142



EC-3132



EC-3142-4DP



EC-3132-4DP



EC-3130-8DP



RELIABILITY BUILT IN™



## Our Electronic Sensor Faucets Feature Easy Controls and Water Savings



**EC-3100**

- Single-hole, deck-mount gooseneck, 8.33L/min (2.2 GPM) flow-rate, vandal-resistant

**EC-3101**

- Single-hole, wall-mount gooseneck, 8.33L/min (2.2 GPM) flow-rate, vandal-resistant

Model	Mounting	Body	Nozzle / Gooseneck	Flow Rate
EC-3100	Deck	Single hole mixing	Rigid Gooseneck	8.3 L/min (2.2 GPM)
EC-3101	Wall	Single hole mixing	Rigid Gooseneck	8.3 L/min (2.2 GPM)

**EC-3102**

- Single-hole, deck-mount cast spout, 8.33L/min flow-rate, vandal-resistant

Model	Mounting	Body	Nozzle	Flow Rate
EC-3102	Deck	Single hole	Cast spout	8.3 L/min (2.2 GPM)





RELIABILITY BUILT IN™



## Electronic Sensor-Activated Glass and Water Bottle Fillers



EC-1210-08



EC-1210-12-WFK

### EC-1210-08 and EC-1210-12-WFK

- Hands-free solution for high touch areas
- Rigid nozzle with three different outlet clearance configurations, 203 mm, 254 mm and 305 mm (8", 10", 12")
- 5.7 L/min (1.5 GPM) vandal resistant laminar device with anti-microbial coating
- Plug-in transformer or (4) AA battery (DC) power options
- Low battery LED indicator light
- Optional auto-flush feature flows water for 30 seconds after every 12 inactive hours
- Models available with water filtration kit (-WFK suffix)

## ChekPoint Sensor Faucet Hydrogenerators



EC-HYDROGEN



EC-HYDROGEN-LF

### EC-HYDROGEN

- Hydrogenerator for T&S Sensor Faucet models with flow rates greater than 3.8 L/min (1.0 GPM)

### EC-HYDROGEN-LF

- Low flow hydrogenerator for select T&S sensor faucets with flow-rates between 1.9 L/min (0.5 GPM) and 3.8 L/min (1.0 GPM)

See following pages for more information about Hydrogenerators



Introducing the T&S Brass

# EC-HYDROGEN-LF Series

ChekPoint Electronic Sensor Faucets with Low Flow Hydrogenerator

**Our newest sensor faucet innovation is a low flow hydrogenerator-powered sensor faucet that generates and stores its own power through the flow of water, without the need for hardwire or battery back-up.**

### Hydroelectric Power Supply with a 1.9 – 3.8 L/min (0.5 – 1.0 GPM) flow rate.

Finally, a self-sustaining power solution to meet low flow LEED requirements. Our new low flow hydrogenerator is available for use on sensor faucets requiring a flow rate of less than 3.8 L/min (1.0 GPM).

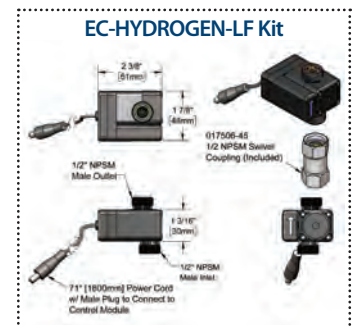
- Flow rate of 1.9 – 3.8 L/min (0.5 GPM –1.0 GPM) is required for use with low flow hydrogen (See below for available faucet models)
- Utilizes hydroelectric power, eliminating the need for batteries or hardwire transformers
- Generates and stores its own power, saving energy and money
- Requires a minimum of ten activations a day to maintain charge
- Provides up to 10 years of battery life



**SAVE ENERGY WATER MONEY**

### NEW ChekPoint™ Sensor Faucet Models with Low Flow Hydrogenerator

EC- Faucet Models without Thermostatic Mixing Valve						
	Below Deck Electronics	Above Deck Electronics	Faucet Description	Spout	Outlet/ Flow Rate	Thermostatic Mixing Valve
EC-HYDROGEN-LF	ChekPoint Low Flow Generator, 3.8 L/min (1.0 GPM) max.					
EC-3100-VF05-HG	✓		Single hole deck mount	Gooseneck	VR 1.9 L/min (0.5 GPM) Non-aerated spray device	–
EC-3102-VF05-HG	✓		Single hole deck mount	Cast spout		–
EC-3103-VF05-HG	✓		10 cm (4") centerset (3 hole) deck mount	Cast spout		–
EC-3104-VF05-HG	✓		10 cm (4") centers (2 hole) deck mount	Cast spout		–
EC- Faucet Models with Thermostatic Mixing Valve						
EC-3100-VF05THG	✓		Single hole deck mount	Gooseneck	VR 1.9 L/min (0.5 GPM) Non-aerated spray device	✓
EC-3102-VF05THG	✓		Single hole deck mount	Cast spout		✓
EC-3103-VF05THG	✓		10 cm (4") centerset (3 hole) deck mount	Cast spout		✓
EC-3104-VF05THG	✓		10 cm (4") centers (2 hole) deck mount	Cast spout		✓
EC-3130-STV5THG		✓	Single hole single temperature deck mount	Gooseneck		✓
EC-3132-STV5THG		✓	Single hole single temperature deck mount	Cast spout		✓
EC-3142-STV5THG		✓	Single hole single temperature deck mount	Cast spout		✓



**The EC-HYDROGEN-LF Kit** includes a female-to-female ½" NPSM swivel adapter, a hydrogenerator with ½" NPSM inlet and outlet, and attached power cord for connection to the existing sensor faucet control module.

Introducing the T&S Brass



## EG-HYDROGEN Series

### ChekPoint Electronic Sensor Faucets with Hydrogenerator

and with a minimum flow rate of 3.8 L/min (1.0 GPM)

#### Imagine a faucet which generates and stores its own power through the flow of water!

All of our ChekPoint™ Electronic Sensor Faucets can all be ordered or easily modified with a EC-HYDROGEN hydrogenerator. It is one of several power options for the T&S Brass ChekPoint™ product line.

The kit includes a female-to-female 1/2 NPSM swivel adapter, a hydrogenerator with 1/2 NPSM inlet and outlet and attached power cord for connection to the existing sensor faucet control module. The use of the T&S ChekPoint™ EC-HYDROGEN and/or T&S ChekPoint™ Electronic Faucets may help qualify towards credits for LEED certification.

#### Operation

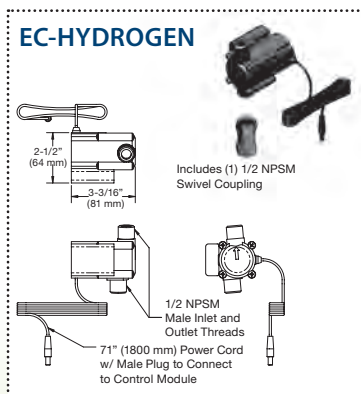
Imagine having a self-sustaining power source for your ChekPoint™ sensor faucets and no longer needing to only rely on batteries or transformers. Hydroelectric power – energy harnessed from moving water – is a form of renewable energy.

Using this principle, our hydrogenerator produces energy to power our ChekPoint™ sensor faucets. Water enters the hydrogenerator and passes by a turbine causing it to rotate. The hydrogenerator uses part of this rotational energy to power the sensor faucets. The remaining energy generated is saved and stored in the hydrogenerator for later use. The unit can store power for up to eight months with no cycling.

The average estimated lifespan for EC-Hydrogen is ten years (estimate based on 1 million cycles in lab testing; individual results may differ).



**SAVE** ENERGY  
WATER  
MONEY





RELIABILITY BUILT IN™



## Equip Sensor Faucets

Save Water-Energy-Money



5EF-1D-DG



5EF-1D-WG

**5EF-1D-DG**

- Single-hole, deck-mount with 8.33 L/min (2.2 GPM) flow-rate, vandal-resistant

**5EF-1D-WG**

- Single-hole, wall-mount with 8.33 L/min (2.2 GPM) flow-rate, vandal-resistant

Model	Mounting	Body	Nozzle / Gooseneck	Outlet/Flow Rate
5EF-1D-DG	Deck	Single hole mixing	Rigid Gooseneck	VR Aerator 8.3 L/min (2.2 GPM)
5EF-1D-WG	Wall	Single hole mixing	Swivel Gooseneck	VR Aerator 8.3 L/min (2.2 GPM)



CEF-1DS



CEF-1DG



CEF-1WS-ST

**CEF-1DS and CEF-1DG**

- Single-hole, deck-mount with 8.33 L/min (2.2 GPM) flow-rate, vandal-resistant

**CEF-1WS-ST**

- Single-hole, wall-mount with 8.33 L/min (2.2 GPM) flow-rate, vandal-resistant

Model	Mounting	Body	Nozzle	Outlet/Flow Rate
CEF-1DG	Deck	Single-hole mixing	Rigid spout	VR Aerator 8.3 L/min (2.2 GPM)
CEF-1DS	Deck	Single-hole mixing	Cast spout	VR Aerator 8.3 L/min (2.2 GPM)
CEF-1WS-ST	Wall	Single-hole single temperature	Rigid spout	VR Aerator 8.3 L/min (2.2 GPM)

## T&S Faucets





RELIABILITY BUILT IN™

# Customize Your T&S Faucet!



Faucet Body

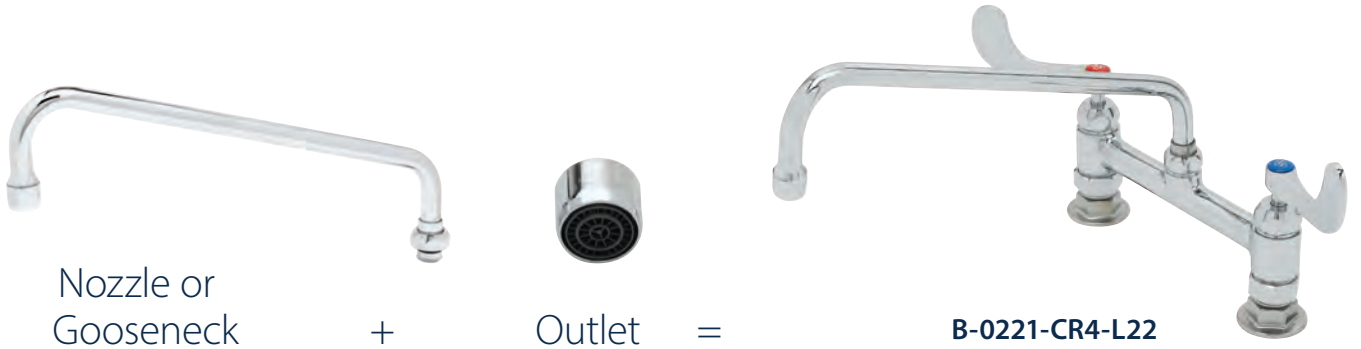
+



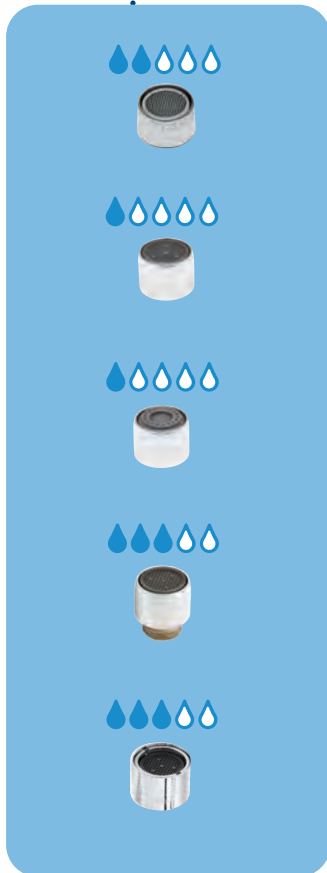
Handles

+





Nozzle lengths range from 15 cm - 45 cm (6" - 18")



Flow rates range from 1.89 L/min - 8.3 L/min (0.5 - 2.2 GPM)



RELIABILITY BUILT IN™

## T&S Offers a Wide Selection of Faucets For Every Application



**B-0207**

- Single-hole, single-lever, single-temperature deck-mount faucet with 15 cm (6") swing nozzle, full-flow



**B-0221-CR**

- Two-hole, 20 cm (8") deck-mount faucet with 30 cm (12") swing nozzle, full-flow

Model	Mounting	Body	Nozzle	Flow Rate	Cartridge
B-0207	Deck	Single hole, single temp	15 cm (6") swing	Full flow	Eterna
B-0221-CR	Deck	Two hole, 20 cm (8")	30 cm (12") swing	Full flow	Cerama



**B-0231**

- Two-hole, 20 cm (8") wall-mount faucet with 30 cm (12") swing nozzle, full-flow



**B-0597**

- Two hole, 20 cm (8") wall-mount pot-filler with 45 cm (18") double-jointed nozzle and insulated on-off control

Model	Mounting	Body	Nozzle	Flow Rate	Cartridge
B-0231	Wall	Two-hole, 20 cm (8")	30 cm (12") swing	Full flow	Eterna
B-0597	Wall	Two-hole, 20 cm (8")	45 cm (18") double-joint	Full flow	Eterna



**B-0592**

- Wall-mount wok/range faucet, 45 cm (18") nozzle with 8.33 L/min (2.2 GPM) flow-rate



**B-0577**

- Wall-mount wok/range faucet, 33 cm (13") nozzle with 8.33 L/min (2.2 GPM) flow-rate

Model	Mounting	Body	Nozzle	Flow Rate	Cartridge
B-0592	Wall	Single hole	45 cm (18") double-joint	8.3 L/min (2.2 GPM)	Eterna
B-0577	Wall	Single hole	33 cm (13") wok wand / swivel	8.3 L/min (2.2 GPM)	-



## Wall-Mount • Deck-Mount Faucet Models

RELIABILITY BUILT IN™

### B-0175

- Faucet with swing nozzle and spray unit
- 20 cm (8") wall-mount mixing faucet, add-on faucet with 30 cm (12") swing nozzle and stream regulator outlet
- 104" stainless steel hose and B-0107-035 (1.15 GPM) angle spray valve
- 90° swivel adapter
- Hanger hook holds hose when not in use



Model	Mounting	Body	Nozzle	Flow Rate	Cartridge
B-0175	Wall	Two hole mixing	30 cm (12") swing	Full flow	Eterna



### B-0580

- Wall-mount, pot filler faucet, 45 cm (18") double-joint nozzle, full flow
- Adjustable flange, 1/2" NPT female
- Insulated on-off control



### B-0581

- Wall-mount, pot filler faucet, 60 cm (24") double-joint nozzle, full flow
- Adjustable flange, 1/2" NPT female
- Insulated on-off control

Model	Mounting	Body	Nozzle	Flow Rate	Cartridge
B-0580	Wall	Single hole	45 cm (18") double-joint	Full flow	–
B-0581	Wall	Single hole	60 cm (24") double-joint	Full flow	–



RELIABILITY BUILT IN™

## Pot and Kettle Filler Faucets Service Sink Faucet

### B-0605

- Single-lever, single-temperature wall-mount faucet
- 2" flange with ½" NPT female inlet with vacuum breaker
- 68" flexible stainless steel hose
- Full-flow hook nozzle spray valve, hold-down ring



### B-0610

- Two-hole, 20 cm (8") mixing wall-mount faucet
- ½" NPT female inlets
- Vacuum breaker
- 68" flexible stainless steel hose
- Full-flow hook nozzle spray valve, hold-down ring



Model	Mounting	Body	Nozzle	Flow Rate	Cartridge
B-0605	Wall	Single hole, single temp	Hook nozzle spray valve	Full flow	Eterna
B-0610	Wall	Two hole, 20 cm (8")	Hook nozzle spray valve	Full flow	Eterna

### B-0665-BSTR

- Two-hole, 20 cm (8") wall-mount service sink faucet
- Rough chrome plated finish
- Built-in screwdriver stops
- Atmospheric vacuum breaker spout with ¾" garden hose male thread and pail hook, upper wall support



Model	Mounting	Body	Nozzle	Flow Rate	Cartridge
B-0665-BSTR	Wall	Two-hole, 20 cm (8")	Atmospheric vacuum breaker	Full flow	Eterna



Wall-Mount • Deck-Mount **Faucet Models**

RELIABILITY BUILT IN™



- B-0712**
- Single-hole, deck-mount self-closing metering faucet with push-button handle, 8.33 L/min (2.2 GPM) flow-rate



- B-1110 (left)**
- Two-hole, 10 cm (4") deck-mount workboard faucet with lever handles, 8.33 L/min (2.2 GPM) flow-rate



- B-1120**
- Two-hole, 20 cm (8") deck-mount workboard faucet with 15 cm (6") swing nozzle, lever handles, 8.33 L/min (2.2 GPM) flow-rate



- B-1121**
- Two-hole, 20 cm (8") deck-mount workboard faucet with 20 cm (8") swing nozzle, lever handles, 8.33 L/min (2.2 GPM) flow-rate



- B-1122**
- Two-hole, 20 cm (8") deck-mount workboard faucet with 25 cm (10") swing nozzle, lever handles, 8.33 L/min (2.2 GPM) flow-rate



- B-1142**
- Two-hole, 20 cm (8") deck-mount workboard faucet with 15 cm (6") swivel gooseneck, lever handles, 8.33 L/min (2.2 GPM) flow-rate

*How Much Water Is Wasted with a Faucet Leak?*

**1** DROP = **197.1** liters PER YEAR

per second



- B-2464**
- Single pedal valve with dummy gooseneck and 8.33 L/min (2.2 GPM) rosespray outlet

	Model	Mounting	Body	Nozzle/Gooseneck	Flow Rate	Cartridge
💧💧💧💧	B-0712	Deck	Single hole	Cast spout	8.3 L/min (2.2 GPM)	Metering
💧💧💧💧	B-1110	Deck	10 cm (4")	15 cm (6") swing	8.3 L/min (2.2 GPM)	Eterna
💧💧💧💧	B-1120	Deck	20 cm (8")	15 cm (6") swing	8.3 L/min (2.2 GPM)	Eterna
💧💧💧💧	B-1121	Deck	20 cm (8")	20 cm (8") swing	8.3 L/min (2.2 GPM)	Eterna
💧💧💧💧	B-1122	Deck	20 cm (8")	25 cm (10") swing	8.3 L/min (2.2 GPM)	Eterna
💧💧💧💧	B-1142	Deck	20 cm (8")	Swivel gooseneck	8.3 L/min (2.2 GPM)	Eterna
💧💧💧💧	B-2464	Deck/Floor	Single foot pedal	Dummy gooseneck	8.3 L/min (2.2 GPM)	–



RELIABILITY BUILT IN™

## Equip Faucets For the Hardworking Commercial Kitchen



**5F-1SLX05**

- Single-hole, single-temperature deck-mount with 14 cm (5½") swivel gooseneck, full-flow



**5F-1SLX12**

- Single-hole, single-temperature deck-mount faucet with 30 cm (12") swing nozzle, full-flow

Model	Mounting	Body	Handle	Nozzle / Gooseneck	Flow Rate	Cartridge
5F-1SLX05	Deck	Single hole single temperature	Lever	14 cm (5½") swivel gooseneck	Full Flow	¼ turn Ceramic
5F-1SLX12	Deck	Single hole single temperature	Lever	30 cm (12") swing nozzle	Full Flow	¼ turn Ceramic



**5F-2SLX05**

- Single-hole, deck-mount with 14 cm (5½") swivel gooseneck, full-flow



**5F-2SLX12**

- Single-hole, deck-mount with 30 cm (12") swing nozzle, full-flow



**5F-4DLX12**

- Two-hole, 10 cm (4") deck-mount with 30 cm (12") swing nozzle, full flow

Model	Mounting	Body	Handle	Nozzle / Gooseneck	Flow Rate	Cartridge
5F-2SLX05	Deck	Single hole mixing	Lever	14 cm (5½") swivel gooseneck	Full Flow	¼ turn Ceramic
5F-2SLX12	Deck	Single hole mixing	Lever	30 cm (12") swing nozzle	Full Flow	¼ turn Ceramic
5F-4DLX12	Deck	10 cm (4")	Lever	30 cm (12") swing nozzle	Full Flow	¼ turn Ceramic



RELIABILITY BUILT IN™

# Equip Faucets



### 5F-8CLX00

- Two-hole, 20 cm (8") deck-mount workboard faucet body, no nozzle



### 5F-8CLX06

- Two-hole, 20 cm (8") deck-mount workboard faucet with 15 cm (6") swing nozzle, full flow



Model	Mounting	Body	Handle	Nozzle / Gooseneck	Flow Rate	Cartridge
5F-8CLX00	Deck	20 cm (8")	Lever	No nozzle	–	¼ turn Ceramic
5F-8CLX06	Deck	20 cm (8")	Lever	15 cm (6") swing nozzle	Full Flow	¼ turn Ceramic



### 5F-8DLX05

- Two-hole, 20 cm (8") deck-mount with 13 cm (5") swivel gooseneck



### 5F-8DLX12

- Two-hole, 20 cm (8") deck-mount with 30 cm (12") swing nozzle



### 5F-8WLX12

- Two-hole, 20 cm (8") wall-mount with 30 cm (12") swing nozzle

Model	Mounting	Body	Handle	Nozzle / Gooseneck	Flow Rate	Cartridge
5F-8DLX05	Deck	20 cm (8")	Lever	13 cm (5") swivel gooseneck	Full Flow	¼ turn Ceramic
5F-8DLX12	Deck	20 cm (8")	Lever	30 cm (12") swing nozzle	Full Flow	¼ turn Ceramic
5F-8WLX12	Wall	20 cm (8")	Lever	30 cm (12") swing nozzle	Full Flow	¼ turn Ceramic

THE utilityline

# PANTRY FAUCET

Series By



## EX-8WF12

8" (203mm) mixing faucet  
Lever handle  
12" (305mm) swing nozzle  
G1/2 male adjustable inlets  
2.2 GPM (8.3LPM) aerator



## EX-8DF12

8" (203mm) mixing faucet  
Lever handle  
12" (305mm) swing nozzle  
Flexible hose with G1/2 female inlets  
2.2 GPM (8.3LPM) aerator



## EX-2DF10

Single hole mixing faucet  
Lever handle  
10" (254mm) swing nozzle  
Flexible hose with G1/2 female inlets  
2.2 GPM (8.3LPM) aerator



## EX-1DF05

Single hole single temperature  
Lever handle  
5 1/2" (140mm) swivel gooseneck  
Flexible hose with G1/2 female inlet  
2.2 GPM (8.3LPM) aerator



## EX-2DF05

Single hole mixing faucet  
Lever handle  
5 1/2" (140mm) swivel gooseneck  
Flexible hose with G1/2 female inlets  
2.2 GPM (8.3LPM) aerator



## EX-8DF05

8" (203mm) mixing faucet  
Lever handle  
5 1/2" (140mm) swivel gooseneck  
Flexible hose with G1/2 female inlets  
2.2 GPM (8.3LPM) aerator





RELIABILITY BUILT IN™



## Klarco EUROP Faucets



### 1E.1010.14.11

- Single-temperature high-flow wall-mount faucet with 25 cm swivel nozzle.
- Faucet made of chrome-plated brass.
- EUR handle, compression headworks.



### 1E.2104.20.11

- Heavy-duty single-hole, mixing temperature, deck-mount faucet with 360° swivel nozzle Ø 2,5, L. 30 cm, clearance 35 cm.
- Faucet made of chrome-plated brass.
- EUR handles, compression headworks.



### 1E.2203.94.11

- Extra robust and high flow single-hole, deck-mount, "GIG" mixing faucet for pot filling nozzle Ø 2,5, L. 45 cm
- Faucet made of chrome-plated brass.
- Riser H. 30 cm made of stainless steel. Clearance 67 cm.
- EUR handles, compression headworks.



### 1E.2904.E6.72

- Single hole, deck-mount mixing faucet with sanitary lever.
- Swivel nozzle Ø 2,5 cm, L. 19,5 cm, chrome-plated brass.
- Clearance 16 cm.
- Faucet is made of chrome-plated brass.
- Sanitary lever made of fiberglass reinforced Polyamide L.22 cm.



RELIABILITY BUILT IN™



## Klarco STYL Faucets



### 1S.2404.07.KC9

- STYL single-hole, mixing temperature, deck-mount faucet, chrome-plated.
- 360° swivel nozzle 30 cm, chrome-plated brass.
- Clearance 23 cm.
- K9e handles made of chrome-plated thermoplastic polymer.



### 1S.2404.08.S3

- STYL single-hole, mixing temperature, deck-mount pillar faucet, chrome-plated.
- 360° swivel nozzle, 30 cm, chrome-plated brass.
- Clearance 33 cm.
- 3Pe handles made of chrome-plated metal.



### 1S.2993.00.82

- STYL single hole, deck-mount mixing faucet, chrome-plated with sanitary lever
- 22 cm swivel nozzle, chrome-plated brass.
- Sanitary lever made of fiberglass reinforced Polyamide.



RELIABILITY BUILT IN™



## Klarco STYL Faucets



### 1S.2930.80.82

- STYL single lever deck-mount mixing faucet with 70-80 cm pull-out spray, swivel nozzle.
- Grey lever.
- Chrome-plated.



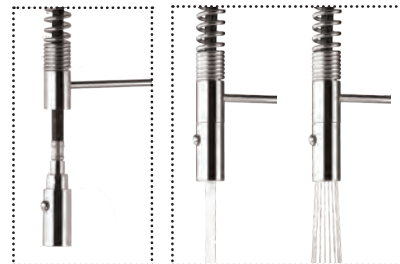
### 1S.2435.07.S3

- STYL single-hole, deck-mount monobloc mixing pot filler faucet with 360° swivel nozzle, 300 mm length.
- 400 mm riser height and 630 mm clearance.
- Riser is in stainless steel.
- 3Pe handles made of chrome-plated metal.

### 1K.2981.GA.M8

**Hy-Brid** – a cross between a mixing faucet and pre-rinse unit.

- Pull-down spray with adjustable water flow – standard stream or spray.
- Stand-alone faucet (needs no wall bracket) with mixing cartridge and metal lever.
- 46 cm high, fits in small areas where a standard pre-rinse unit cannot be mounted.
- Riser pipe rotates 360°.



## T&S Hose Reels





RELIABILITY BUILT IN™

# The Best Choice for T&S Hose Reel System Options

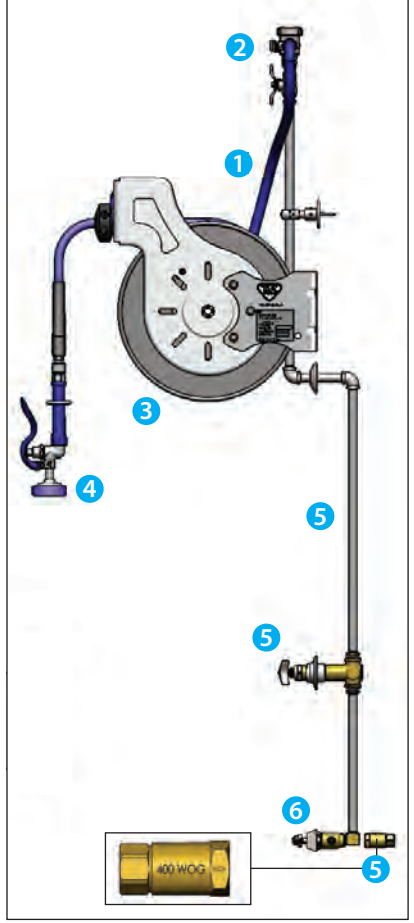
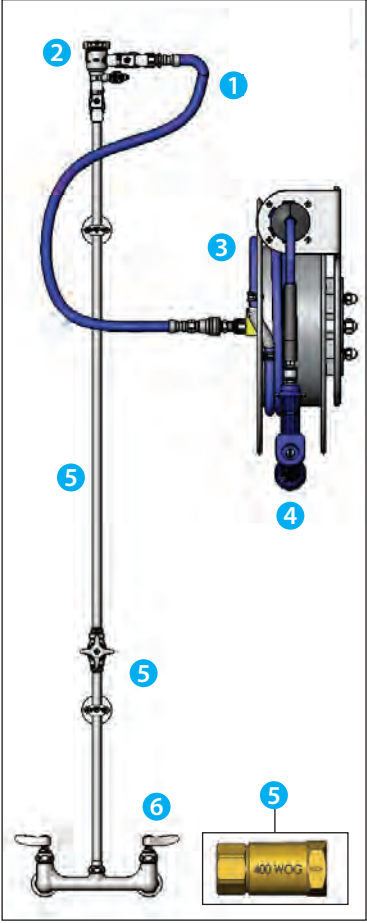
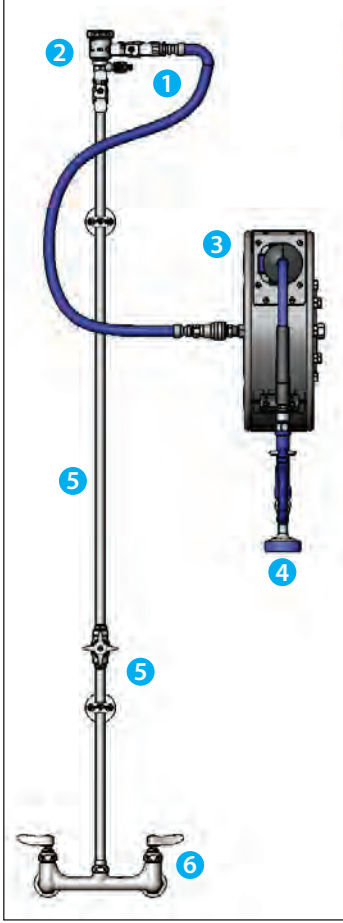
We offer a wide selection of complete hose reel system models

S1 System Type

S2 System Type

S3 System Type

- 1 Flexible hose connections
- 2 Vacuum breakers
- 3 Open and Enclosed Hose Reels with various length hoses
- 4 Water guns / Spray valves
- 5 Includes Shut-off valves, Check valves, Risers, and Wall brackets
- 6 Mixing valves and faucet bases



T&S can help you configure a custom system based on your needs with a wide variety of options



RELIABILITY BUILT IN™

# Smart Model Number Key for Complete Hose Reel Systems

Example:

<b>B-7</b>	<b>2</b>	<b>3</b>	<b>2 - U</b>	<b>01</b>	<b>W</b>	<b>S1</b>	<b>E</b>
<b>Reel Material</b> 1 = Stainless Steel 2 = Epoxy-Coated Steel	<b>Hose Length –</b> <b>3/8" Diameter Options</b> 1 = 15' (open models only) 2 = 30' (closed models only) 3 = 35' (open models only) 4 = 50' <b>1/2" Diameter Options</b> 3 = 35' (open models only) 4 = 50'	<b>Diameter</b> 2 = 3/8" 3 = 1/2" (stainless models only)	<b>Reel</b> C = Closed (3/8" only) U = Open	<b>Spray Valve</b> 01 = EB-0107 1L = B-0107 02 = MV-2516-24 03 = MV-2516-34 04 = MV-2516-44 05 = MV-2522-24 06 = MV-2522-34 07 = MV-2522-44 08 = B-0108-H 8L = B-0108 10 = EB-2322 11 = MV-3516-24	<b>Mounting Brackets</b> P = Pivot/Ceiling Bracket W = Wall Swing Bracket T = Table Leg Bracket X = No Bracket	<b>System Type*</b> See chart below	<b>Cartridge Type</b> E = Eterna C = Cerama

\* System Type: Model (for example):

<b>S1</b> 8" Wall Mount with Spring Checks	<b>S2</b> 8" Wall Mount with In-line Check Valves	<b>S3</b> Concealed Base with In-line Check Valves	<b>S4</b> 8" Deck Mount	<b>S5</b> Cabinet
<b>B-7232-U01XS1E</b>	<b>B-7232-U01XS2E</b>	<b>B-7232-U01XS3</b> <i>(Cartridge option N/A for S3)</i>	<b>B-7232-U01WS4E</b>	<b>B-7232-U01XS5</b> <i>(Cartridge option N/A for S5)</i>

T&S Hose Reel Systems Models		
B-7122-C01XS1E	B-7222-C01XS1E	B-7232-U01XS3
B-7212-U01WS1E	B-7232-U01WS1E	B-7232-U01WS4E
B-7212-U01XS1E	B-7232-U01XS1E	B-7232-U01XS4E
B-7212-U01WS2E	B-7232-U01WS2E	B-7232-U01WS5
B-7212-U01XS2E	B-7232-U01XS2E	B-7232-U01XS5
B-7212-U01XS3	B-7232-U01WS3	B-7232-U05XS1E





## T&S 9.5 mm (3/8") Hose Reels Enclosed and Open Models



### B-7122-C01

- Stainless steel enclosed 9 m (30') hose reel, 9.5 mm (3/8") hose diameter, and EB-0107 high-flow spray valve

Model	Hose Length	Hose Diameter	Spray Valve	Flow Rate	Max. Temperature	Universal Wall Bracket
B-7122-C01	9 m (30')	9.5 mm (3/8")	EB-0107	21.2 L/min (5.6 GPM)	4.5°C to 60° C (40°F to 140° F)	✓



### ORK1

- Rough chrome mixing valve with removable seats, 1/2" NPT female inlets and 4" (10 cm) centers for use with vertical or horizontal piping

### B-7232-01

- Epoxy-coated open 35' (10.7 m) hose reel, 9.5 mm (3/8") hose diameter, and EB-0107 high-flow spray valve

Model	Hose Length	Hose Diameter	Spray Valve	Flow Rate	Max. Temperature	Universal Wall Bracket
B-7232-01	10.7 m (35')	9.5 mm (3/8")	EB-0107	21.2 L/min (5.6 GPM)	4.5°C to 60° C (40°F to 140° F)	Optional



RELIABILITY BUILT IN™

## T&S 9.5 mm (3/8") Hose Reels Open Models



### B-7132-05

- Stainless steel open 10.7 m (35') hose reel, 9.5 mm (3/8") hose diameter, and MV-2522-24 stainless steel front trigger water gun

Model	Hose Length	Hose Diameter	Spray Valve	Flow Rate	Max. Temperature	Universal Wall Bracket
B-7132-05	10.7 m (35')	9.5 mm (3/8")	MV-2522-24	15.52 L/min (4.1 GPM)	4.5°C to 60° C (40°F to 140° F)	✓



B-7142-01



B-7142-10

### B-7142-01 and B-7142-10

- Stainless steel open 50' (15 m) hose reel, 9.5 mm (3/8") hose diameter, swivel, and EB-0107 high-flow spray valve (-01 model) or EB-2322 extended spray wand (-10 model)

Model	Hose Length	Hose Diameter	Spray Valve	Flow Rate	Max. Temperature	Universal Wall Bracket
B-7242-01	15 m (50')	9.5 mm (3/8")	EB-0107	12.11 L/min (3.2 GPM)	4.5°C to 60° C (40°F to 140° F)	✓
B-7242-10	15 m (50')	9.5 mm (3/8")	EB-2322 Extended spray wand	12.87 L/min (3.4 GPM)	4.5°C to 60° C (40°F to 140° F)	✓



RELIABILITY BUILT IN™

## T&S 12.7 mm (½") Hose Reels **NEW!** Open Models



### 5HR-351-01

Stainless steel enclosed 19.8 m (65') hose reel, 12.7 mm (½") hose diameter, and 5SV-WH high-flow spray valve

Model	Hose Length	Hose Diameter	Spray Valve	Flow Rate	Max. Temperature	Universal Wall Bracket
5HR-351-01	19.8 m (65')	12.7 mm (½")	5SV-WH	9.58 L/min (2.53 GPM)	4.4°C to 60°C (40°F to 140°F)	



### 5HR-361-01

Stainless steel enclosed 25 m (82') hose reel, 12.7 mm (½") hose diameter, and 5SV-WH high-flow spray valve

Model	Hose Length	Hose Diameter	Spray Valve	Flow Rate	Max. Temperature	Universal Wall Bracket
5HR-361-01	25 m (82')	12.7 mm (½")	5SV-WH	9.58 L/min (2.53 GPM)	4.4°C to 60°C (40°F to 140°F)	Optional



RELIABILITY BUILT IN™

## Other Hose Reels and Mixing Valves for Foodservice and Industrial Applications



Sized For  
Small Spaces

### B-7161-C

- 1.8 m (6') combi-oven hose reel with stainless steel shroud and push-button 6.4 L/min (1.7 GPM) spray valve

Model	Hose Length	Hose Diameter	Spray Valve	Flow Rate
B-7161-C	1.8 m (6')	9.5 mm (3/8")	Push button	6.4 L/min (1.7 GPM)



### MV-0771-12CW

- Chrome-plated washdown station with 1.9 cm (3/4") mixing valve, thermometer, 50' (15 m) hose, rear trigger stainless steel water gun and hose rack

Model	Hose Length	Hose Diameter	Spray Valve	Flow Rate	Temperature Range
MV-0771-12CW	15.25 m (50')	1.9 cm (3/4")	MV-2516-44	38.23 L/min (10.1 GPM)	4.4° C to 93° C (40°F to 200°F)



RELIABILITY BUILT IN™

# Heavy-Duty Spray Valves and Water Guns Spray Pattern

**EB-0107** Spray Valve



**B-0108-H** High Flow JeTSpray Valve



**MV-2516** Rear Trigger Water Gun



**EB-2322** Spray Valve Extension Unit



**MV-2522** Front Trigger Water Gun



**MV-3516-25** Aluminum Rear Trigger Water Gun





RELIABILITY BUILT IN™

# Hose Reel Spray Valves and Water Guns



**EB-0107**  
High Flow Spray Valve



**EMV-0522-24**  
Front Trigger Water Gun



**MV-2516-24**  
Rear Trigger Water Gun



**MV-0522-24**  
Front Trigger Water Gun



**MV-3516-24** Aluminum  
Rear Trigger Water Gun

## WATER GUNS and SPRAY VALVES

Model	Type	Flow Rate
EMV-0522-24	Front Trigger Water Gun	30 L/min (8 GPM)
MV-2516-24	Rear Trigger Water Gun	29.11 L/min (7.69 GPM)
MV-0522-24	Front Trigger Water Gun	30.47 L/min (8 GPM)
MV-3516-24	Rear Trigger Water Gun	30.85 L/min (8.15 GPM)
EB-0107	High Flow Spray Valve	21.2 L/min (5.6 GPM)

## HOSE REEL SWING BRACKETS



**G018477-45**  
• Table leg swing bracket for 1/2" and 3/8" T&S hose reels

**EasyInstall**

**G019430-45**  
• EasyInstall universal swing bracket for 1/2" and 3/8" T&S hose reels



RELIABILITY BUILT IN™

## T&S Hose Reel Features and Benefits

**T&S Hose Reels Only**



Feature	Function	Benefit
<b>Adjustable Arm</b>	Hose reel arm is adjustable to three different positions.	Gives user greater flexibility for their particular application. Adjustability allows arm to be either in wall mount or under counter mount position.
<b>Anti-Lockout Ratchet Design</b>	When hose is fully extended, ratchet pawl is in between two sets of locking gears.	Allows hose to retract freely. Eliminates need to manually rewind the hose.
<b>Brass Swivel on Stainless Shaft</b>	Eliminates a condition known as "galling" where excessive friction between like metals results in localized welding with subsequent splitting of one or both of two mating parts.	Reduces risk of rusting, leaking and potentially an unusable hose reel.
<b>Hose</b>	Hose has a nitrile tube and oil-resistant synthetic rubber jacket with a synthetic yarn braid for reinforcement. Rated up to 93° (200°F) and 20 bar (300 psi).	Hose has better oil and grease resistant properties than PVC or EPDM rubber hose.
<b>Impact Resistant Ratcheting Assembly</b>	Ratchet plate is 6.4 mm (1/4") thick stainless steel with six catch points. Ratchet pawl is made from corrosion resistant steel.	Longer service life as compared to others where the parts are made from plastic and tend to break under stress.
<b>Mounting Base</b>	Contains multiple holes and slots.	Makes reel easier to retrofit to existing mounting patterns. Eliminates need to drill additional holes to a specific mounting pattern.
<b>Protected Hose Outlet</b>	Hose outlet contains a full guide bushing that rims the opening.	Allows the hose to move freely across guide bushing instead of against metal. Hose doesn't bind in corners as it can in outlets with only four rollers, resulting in longer hose jacket life.
<b>Hose Swivel 360°</b>	Hose reel hose spray valve hex swivel.	Allows spray valve to rotate freely.



RELIABILITY BUILT IN™

## Equip Complete Hose Reel Systems

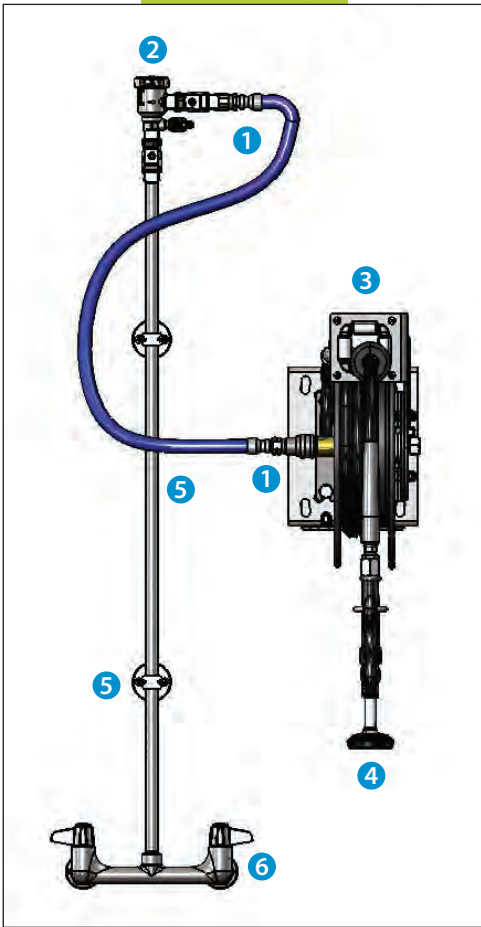


*The equip solution to ensure code compliance and efficiency*

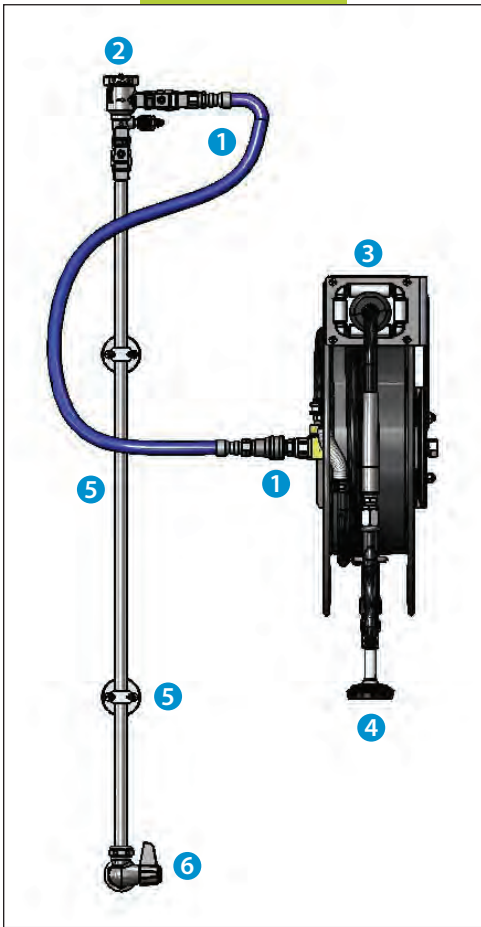
*We offer a wide selection of equip Complete Hose Reel System models*

- 1 Flexible hose connections
- 2 Vacuum breakers
- 3 Open Hose Reels with various length hoses
- 4 Water guns and Spray valves
- 5 Includes Check valves, Risers, and Wall brackets
- 6 Mixing valves and faucet bases

**E1 System Type**



**E2 System Type**



*equip can help you configure a custom system based on your needs with a wide variety of options*



RELIABILITY BUILT IN™



# Smart Model Key for Equip Complete Hose Reel Systems

Example:

**5HR - 2 3 2 - 01 X E1**

**Hose Reel**  
**222** = 25' x 3/8"  
**232** = 35' x 3/8"  
**242** = 50' x 3/8"  
**342** = 50' x 1/2"

**Spray Outlet, Connector and Adapter**  
**-01** = 5SV-WH  
**-09** = 5WG-1000-01  
**-12** = EMV-0522-24  
**-GH** = Garden Hose Connector  
**-01GH** = 5SV-WH and Garden Hose Connector

**Mounting Brackets**  
**P** = Pivot/Ceiling Bracket  
**W** = Wall Swing Bracket  
**T** = Table Leg Bracket  
**X** = No Bracket

**System Type\***  
**E1** = 8" Wall Mount with in-line check valves (System 1)  
**E2** = Single Hole Wall Mount (System 2)

System Type:



Model (for example):

**5HR-232-01WE1**

**5HR-242-01XE2**

Spray Outlet, Adapters and Connectors



Available Models:

Equip Hose Reel Systems Models		
5HR-232-01WE1	5HR-232-01XE2	5HR-242-01XE1
5HR-232-01WE2	5HR-242-01WE1	5HR-242-01XE2
5HR-232-01XE1	5HR-242-01WE2	



RELIABILITY BUILT IN™



## Equip Open Hose Reels

*T&S's Equip washdown and clean-up solution*

**Reel and Base**

- Epoxy coated steel
- Thick steel structure
- Extra ribs for strength

**Open Hose Reel**

- Open design makes reel easy to clean

**EMV-0522-24 Front Trigger Water Gun**

**Guide Rollers**

- Guide rollers prevent hose damage

**Guide Arm**

- 4-position orientation
- Mounted independently
- Easily adjustable
- Thick steel structure
- Extra ribs for strength

**Adjustable Hose Stop**

**Hose**

- Reinforced wear-resistant black cover
- 7.5m (25'), 10m (35') and 15m (50') hose lengths
- 20 bar (300 PSI) max.
- 80° C (176°F) maximum temperature

**Main Spring**

- Proprietary spring alloy
- Exceeds 25K pull cycle test
- Easy and safe service

**Heavy-Duty Brass Swivel**

- Outboard of reel
- 3/8" NPT female inlet
- Easy 'O'-Ring service
- 'O'-Ring: Buna-N nitrile and two nylon wearing rings

- 5HR-232-12 10m (35') Hose Reel with EMV-0522-24 Front Trigger Water Gun
- 5HR-242-12 15m (50') Hose Reel with EMV-0522-24 Front Trigger Water Gun



RELIABILITY BUILT IN™



## Equip Open Hose Reels



**5HR-232-01 and 5HR-242-01**

### 5HR-232-01

- Black epoxy-coated 35' (10 m), with 9 mm (3/8") hose diameter, 15 L/min (4.0 GPM+) spray valve

### 5HR-242-01

- Black epoxy-coated 50' (15 m), with 9 mm (3/8") hose diameter, 15 L/min (4.0 GPM+) spray valve

Model	Hose Length	Hose Diameter	Spray Valve	Flow Rate	Max. Temperature	Wall Bracket
5HR-232-01	10 m (35')	9 mm (3/8")	5SV-WH	15 L/min (4.0+ GPM)	60° C (140° F)	✓
5HR-242-01	15 m (50')	9 mm (3/8")	5SV-WH	15 L/min (4.0+ GPM)	60° C (140° F)	✓

## Equip Hose Reel Accessories



**5SV-WH**  
Hose Reel Spray Valve  
includes handle



**5SV-H**  
High Flow Spray Valve  
no handle



**EMV-0522-24**  
Water Gun  
for equip hose reels



T&S and Klarco Hose Reels



RELIABILITY BUILT IN™

	Hose Reel Model	Product Image	Length / 1.27 cm (1/2") or 95 mm (3/8")	Open / Enclosed Material	Notes
<b>T &amp; S  B R A S S</b>	B-7132-05		10.7 m 95 mm (3/8")	Open Stainless Steel	• MV-2522-24 Stainless steel front trigger water gun
	B-7142-01		15 m 95 mm (3/8")	Open Stainless Steel	• EB-0107 High-flow spray valve
	B-7142-10		15 m 95 mm (3/8")	Open Stainless Steel	• EB-2322 Extended spray wand
	ESA-4L65-S		20 m	Open Stainless Steel	• Spray gun not included; order separately
	ESA-4L82-S		25 m	Open Stainless Steel	• Spray gun not included; order separately
<b>K L A R C O</b>	5R.M10.449		10 m	Enclosed Stainless Steel	• Includes NiTo-II Combi Spray gun
	5R.M15.449		15 m	Enclosed Stainless Steel	• Includes NiTo-II Combi Spray gun
	5R.M20.449		20 m	Enclosed Stainless Steel	• Includes NiTo-II Combi Spray gun



RELIABILITY BUILT IN™



P149 Soap dispenser for NiTo-II Spray Valve

Spare Parts and Accessories

Model	Description
F134	DN10 x 20m Hose Replacement Kit, EPDM Rubber
F135	DN10 x 15m Hose Replacement Kit, EPDM Rubber
F136	DN10 x 10m Hose Replacement Ki, EPDM Rubber
P030	Backflow Preventer DW15/DN10
P074	Flat Gasket ½" Ø18.5x11 sp.2mm
P097	O-Ring 2056 (14 x 1.78mm)
P149	Soap Dispenser Container for NiTo-II Spray Valve
P201	M10 Reel Spring
P203	90° Coupling + Backflow Preventer
P206	JS Seeger-Ring (Heavy Duty) DIN 472
P223	M15-M20 Reel Spring
P273	Ratchet Repair Kit
P333	Bushing+O-Rings
P350	M10 Roller Repair Kit
P387	M15-20 Roller Repair Kit
P449	Water Gun (Female G½")

Note: This is a partial list of spare parts that are available for Klarco hose reels. Please reference the [website, www.klarco.com](http://www.klarco.com) for each model's specification sheets with a complete list of parts available.

**KLARCO ½" Stainless Steel Hose Reels**

- Enclosed, wall mount swivel MAXIReel hose reels with 10, 15 or 20 meter-long EPDM rubber (food grade) retractable hose. Heavy-duty NiTo-II Combi spray gun with adjustable flow, G ½" male inlet with built-in check valve, cover and wall bracket AISI 304 stainless steel.

Model	Inlet	Hose Material	Spray Gun	Hose Length	Hose Inner Ø	Maximum Temperature	Maximum Pressure
5R.M10.449	G ½" male	EPDM rubber, food grade	NiTo-II Combi spray gun	10 m	Hose connection G ½" male thread	90° C	10.0 bar
5R.M15.449		EPDM rubber, food grade		15 m			
5R.M20.449		EPDM rubber, food grade		20 m			



NiTo-I Combi Spray Gun



NiTo-II Combi Spray Gun

Model	Type	Flow Rate	Hose Reel Model Suffix	Maximum Temperature	Maximum Pressure
NiTo-I Combi	Spray gun	8.5 L/min	.448	40° C	6 bar
NiTo-II Combi	Spray gun	8.5 L/min	.449	90° C	10.0 bar



RELIABILITY BUILT IN™



Sized For Small Spaces

**KLARCO 5R.MINI.KP/E492 MINIREel**

• Enclosed, compact MINIREel with automatic retractable hose reel spray unit, for integration in professional combi ovens. MINIREel can be installed inside an appliance or under a table or sink.



**Klarco EasyKits**

**Provides Water Immediately and Anywhere, Thanks to an Innovative Solution**

Klarco EasyKits are compact spray assemblies designed to simply make water available wherever food is being processed. Originally developed as an oven cleaning accessory, Klarco EasyKits find multiple uses in many areas, including:

- Fish counters
- Food displays
- Food preparation counters
- Grills, griddles and as an under-sink accessory
- Also in: • Animal care facilities
- All EasyKits include a spray valve, a flexible hose, and a wall bracket.

**NEW!**



Complete EasyKit

EasyKit Models	Spray Image	Operation	Spray Pattern	Material	Inlet Type	Check Valve	Operation Conditions
ART.P519N		Push Button	Shower + narrow	Nylon + Stainless Steel	Male G 1/2	With Check Valve	Max. 6 bar Max. 65° C 10.5 L/min @ 3 bar
ART.P507M			Shower Spray				
ART.P047		Lever operated	Nylon + Brass				

*EasyKit Accessories*



ART.OP.P530.00.00 Shut-Off Tee Valve  
G 3/4" male threaded inlet, G 1/2" male outlet



ART.4A.6006.00.00 Shut-Off Valve  
1/2" male threaded inlet and outlet

*EasyKit Models come in 3 different hose lengths*

Spray Model	Flex Hose, 150 cm, F 1/2 Female Connection	Flex Hose, 200 cm, F 1/2 Female Connection	Flex Hose, 250 cm, F 1/2 Female Connection
P519N	4F.P519N.F007	4F.P519N.F006	4F.P519N.F005
P507M	4F.P507M.F007	4F.P507M.F006	4F.P507M.F005
P047	4F.P047.F007	4F.P047.F006	4F.P047.F005

## T&S Additional Foodservice Solutions





RELIABILITY BUILT IN™

T&S Dipperwell and Glass Filler  
*Essential Tools for the Foodservice Trade*

Dipperwell Faucet



**B-2282-01**

• Dipperwell faucet and bowl assembly

Model	Inlet	Outlet / Drain	Faucet Flow Rate
B-2282-01	Dipperwell faucet	38 mm (1½")	Adjustable up to 7.08 GPM @ 60 psi

Glass Filler



**B-1210**

• Single-hole, single temperature (cold) deck-mount pedestal glass filler, 20 cm (8") height, with push-back actuation arm

Model	Height	Outlet Flow Rate	Clearance
B-1210	24 cm (9 5/16")	0.95 L/min - 8.5 L/min (0.25 - 2.25 GPM) at 60 psi (4 bar)	20 cm (8")



RELIABILITY BUILT IN™

## T&S Electronic Sensor-Activated Bubbler

*Hands-Free for Hygiene*



### Sensor Bubbler



EC-2360

- Hands-free operation
- Adjustable flow of water
- Optional auto-flush feature
- Low battery LED indicator light
- Polished chrome plated brass body
- Rubber mouth guard



EC-2360-WFK

#### EC-2360

- Single hole, deck mount electronic sensor bubbler
- Water filtration kit available (-WFK suffix), reduces chlorine taste and odor
- Docking station includes an integral shut-off valve for easy cartridge replacement



## Equip Glass Filler and Water Station



5GF-W-F



5GF-8P-WS

#### 5GF-W-F

- Single hole, single temperature (cold) wall-mount glass filler with push-back actuation arm

Model	Mount	Inlet	Flow Rate
5GF-W-F	Wall	9.5 mm (3/8") female	0.95 L/min - 9.5 L/min (0.25 - 2.50 GPM) at 60 psi (4 bar)

#### 5GF-8P-WS

- Deck-mount water station with single hole, single temperature (cold) pedestal glass filler, push-back actuation arm, and stainless steel drip pan

Model	Mount	Inlet	Flow Rate
5GF-8P-WS	Deck	9.5 mm (3/8")	0.95 L/min - 9.5 L/min (0.25 - 2.50 GPM) at 60 psi (4 bar)



RELIABILITY BUILT IN™

## T&S Waste Drain Valves



**B-3940 and B-3950**



**B-3990-OF**

**B-3940**

- Waste drain valve with twist handle, 7.6 cm (3") x 5 cm (2") & 3.8 cm (1½") adapter

**B-3940-01**

- Waste drain valve with twist handle, and overflow assembly (B-3990-OF)

**B-3950**

- Waste drain valve with twist handle, 8.9 cm (3½") x 5 cm (2") and 3.8 cm (1½") adapter

Waste Valve Model	Type Handle	Sink Opening	Drain Outlet	Other Features
B-3940	Twist	7.6 cm (3")	3.8 cm or 5 cm (1½" or 2")	7.6 cm (3") Adapter
B-3940-01	Twist	7.6 cm (3")	3.8 cm or 5 cm (1½" or 2")	With overflow tube assembly
B-3950	Twist	8.9 cm (3½")	3.8 cm or 5 cm (1½" or 2")	8.9 cm (3½") Adapter

## Emergency Eye Care



**EW-7360B**

- Wall-mount eyewash with round stainless steel receptor, plastic eye wash head with laminar flow, flip-top dust cover, and stainless steel push flag

**Why do you need to consider installing an eyewash station in your facility?**

The need for an eyewash station varies by industry, the need for an eyewash station should be determined by the chemicals that are used in your facility. Wherever corrosive chemicals are being used, an eyewash station is very important for employee safety and health.



## T&S Accessories / Spare Parts





RELIABILITY BUILT IN™

## T&S Accessories Extend the Life of Your T&S Faucets and Pre-Rinse Units

### T&S Faucets



**002711-40NS Cold (left) and 002712-40NS Hot (right)**

- Eterna cartridges, quarter-turn with spring checks for Manual Faucets with lever handle, index and screw



**B-6K**

- Parts kit for Eterna Cartridges



**000888-45**

- T&S pre-rinse overhead spring, chrome-plated steel



**B-0044-H**

- PRU hose, 44" (112 cm) flexible stainless steel (gray handle)



**B-0109-01**

- Wall bracket, 6" (15 cm) wall bracket assembly with mounting hardware



**B-0156**

- Add-on faucet, 12" (30 cm) nozzle, lever handle, Eterna cartridge

### Outlets For T&S Faucets



Non-Aerated Spray Device	Aerator	Aerator	Vandal-Resistant Aerator
B-0199-01-N05	B-0199-01-WS	B-0199-01	B-0199-06
1.9 L/min (0.5 GPM)	5.7 L/min (1.5 GPM)	8.3 L/min (2.2 GPM)	8.3 L/min (2.2 GPM)

### Hose Reel Accessories



**014941-45**

- T&S hose kit, 3/8" (9 mm) x 35' (10 m) blue hose



**014942-45**

- T&S hose kit, 3/8" (9 mm) x 50' (15 m) blue hose



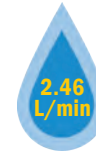
RELIABILITY BUILT IN™

## Pre-Rinse Spray Valve Accessories Hose Reel Water Guns



**B-0107**

- Spray valve with gray rubber bumper, flow rate 4.35 L/min (1.15 GPM)



**B-0107-C**

- Spray valve, low-flow spray tip, flow rate 2.46 L/min (0.65 GPM)



**B-0108**

- JeTSpray spray valve, flow rate 4.05 L/min (1.07 GPM)



**B-0107-J**

- Spray valve, gray, low-flow spray tip, flow rate 4.05 L/min (1.07 GPM)



**B-10K**

- Parts kit for B-0107 spray valves, gray



**B-0230-K**

- Installation kit, 1.3 cm (1/2") NPT nipple, lock nut & washer, short elbow (shown above: parts included both assembled and unassembled)

### Hose Reel Accessories



**MV-2516-24**

- Water gun for hose reel, 29.11 L/min (7.69 GPM)



Hose Reel Outlet	Type	Flow Rate
EMV-0522-24	Front Trigger Water Gun	About 30 L/min (8 GPM)
MV-2516-24	Rear Trigger Water Gun	29.11 L/min (7.69 GPM)
MV-0522-24	Front Trigger Water Gun	30.47 L/min (8.05 GPM)
MV-3516-24	Rear Trigger Water Gun	30.85 L/min (8.15 GPM)
EB-0107	High Flow Spray Valve	21.2 L/min (5.6 GPM)



**G018477-45**

- Table leg swing bracket for 1/2" and 3/8" T&S hose reels



**Easy Install**



**G019430-45**

- EasyInstall universal swing bracket for 1/2" and 3/8" T&S hose reels



RELIABILITY BUILT IN™

## Equip Pre-Rinse Unit Accessories



### Equip Pre-Rinse Accessories



**5SV**  
 • Spray valve with black rubber bumper, flow rate 4.35 L/min (1.15 GPM)

**5SV-C**  
 • Spray valve, spray tip, flow rate 4.5 L/min (1.20 GPM)

**5SV-WH**  
 • Spray valve, handle and ring for equip pre-rinse unit spray valves



**000369-45**  
 • Equip 45 cm (18") PRU riser



**014068-45**  
 • Equip overhead coiled spring



**5AFL12**  
 • Equip add-on faucet for PRUs, 30 cm (12") swing nozzle



**5HSE44**  
 • Equip hose, 112 cm (44") flex stainless steel, black handle

### Equip Faucets



**013788-45 Cold Ceramic Cartridge Assembly**  
 • Equip ceramic cartridge assembly, cold, LTC, blue

**013787-45 Hot Ceramic Cartridge Assembly (above)**  
 • Equip ceramic cartridge assembly, hot, RTC, red



**5SP-05 Equip Swivel Gooseneck**  
 • 14 cm (5½") spread, 17.03 L/min (4.5 GPM)



**5SP-12 Equip Swing Nozzle**  
 • 30 cm (12") swing nozzle, 17.03 L/min (4.5 GPM)

**5SP-18 Equip Swing Nozzle**  
 • 45 cm (18") swing nozzle, 17.03 L/min (4.5 GPM)



RELIABILITY BUILT IN™

## Equip Accessories



### Equip Hose Reel Accessories



#### 5SV-WH

- Equip high-flow spray valve assembly w/ handle & hold-down ring, 17.03 L/min (4.5 GPM)



#### EMV-0522-24

- Front trigger water gun, about 30 L/min (8 GPM)



#### 5HR-2HSE-50

- Equip 9 mm (3/8") x 50' (15 m) hose, black



RELIABILITY BUILT IN™

# UtilityLine Accessories



## Wok Range Faucets



- EX-1WWF08**
- EX-1WWF10**
- EX-1WWF12**
- EX-1WWF14**
- EX-1WWF16**

• Wok range faucets with 20 cm (8") swing nozzle, 25 cm (10"), 30 cm (12"), 36 cm (14"), and 40 cm (16") swing nozzle, full flow

## Single Temperature Faucet



**EX-1WSF-A**

• Single hole single temperature wall-mount sill faucet

## Pre-Rinse Accessories



**EX-ADF00**

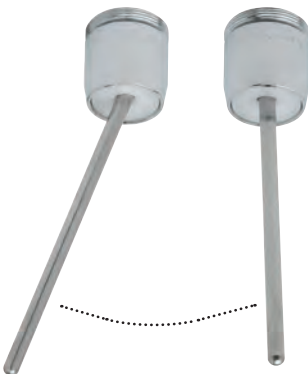
• Add-on faucet, no nozzle



**EX-ADF12**

• Add-on faucet with 30 cm (12") swing nozzle, full flow

## Aerator



**EX-0199-23**

• Self-closing water saver aerator with 7.6 cm (3") stainless steel activation rod



RELIABILITY BUILT IN™

## UtilityLine Accessories

THE utilityline

## Rinsers

**EX-RINSER-1**

- Can/jar rinser unit, small  
18 x 17 cm (7" x 6.7") pan

**EX-RINSER-2**

- Can/jar rinser unit, medium  
33 x 18 cm (13" x 7") pan

**EX-RINSER-3**

- Can/jar rinser unit, large  
63 x 22 cm (24¾ x 8⅝") pan

**EX-RINSER-SV06**

- Spray head replacement  
for EX-RINSER-3

**EX-RINSER-SV06B**

- Spray stem replacement  
for EX-RINSER-3

**EX-RINSER-SV065**

- Star bracket replace-  
ment for all EX-RINSERS

**EX-RINSER-SV13**

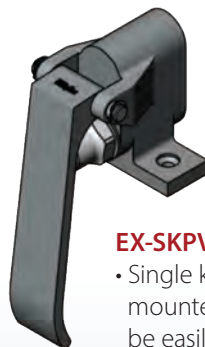
- Spray head replacement  
for EX-RINSER-1 and  
EX-RINSER-2

## Single Foot-Pedal Valve

**EX-SFPV**

- Single foot-pedal valve, floor-  
mounted to ensure stability and  
be easily accessible.

## Single Knee-Pedal Valve

**EX-SKPV**

- Single knee-pedal valve, deck-  
mounted to ensure stability and  
be easily accessible.

Note: All foot- and knee-pedal valves need a dummy gooseneck installed with the sink.

## T&S History and Awards



T&S was founded in 1947 by George Theisen and Carl Spatt, who developed the very first pre-rinse unit and the foot pedal valve, both of which set the foodservice industry standard. The products depict our dedication to sustainability through innovation and design, regional priority, the use of 98-99% recycled metals, using better metal materials, managing wastewater effluent, reducing paper and cardboard waste, and developing products that can help achieve credits for LEED certification in Water and Energy Efficiency.

T&S has received numerous awards, including the Silver Crescent Award in 2015, the most prestigious award for manufacturers in South Carolina. It was also named Manufacturer of the Year by the South Carolina Chamber of Commerce and was selected by Industry Week as Best Plants Winner in 2014 and 2019.

T&S marks 10 years as a WaterSense partner, reinforcing its commitment to sustainability and water conservation. In 2022, T&S Brass celebrated 75th anniversary. T&S earns another National Restaurant Association Kitchen Innovations Award for the EasyInstall Hose Reel Cabinet. UltraRinse, spray nozzle attachment for rinsing produce and thawing proteins, wins prestigious Kitchen Innovations Award from the National Restaurant Association.



## Sustainability Statement

From the past, present and into the future, T&S Brass is committed to sustainability. Protecting our planet's resources begins with the materials we select to use, continues through our manufacturing process, and ends with an environmentally friendly product solution.

Furthermore, through metrics and monitoring, we are continuously looking for new and better ways to improve the lifecycle of our products and reduce our corporate carbon footprint. We pay attention to the changing needs of the environment and market, and are fully committed to developing innovative solutions for the buildings and facilities that rely on T&S Brass.

## Company Mission

To achieve profitable growth by designing, producing, and marketing high quality products for the food service and institutional markets, both domestically and internationally.

To progressively operate the company in a manner beneficial to the stockholders, employees, customers, and the communities in which we work.

To be the premier company of quality commercial, institutional, and industrial products by being innovative, creative, and aggressive, while maintaining a financially secure foundation.



## Company Statement

Provide high quality solutions for the food service, plumbing and institutional markets with exceptional customer service.

## Association



## Are You Certified Yet?

Did you know T&S Brass and Bronze Works offers various ways of continuing your knowledge of the extensive product lines, water conservation, and sustainability?



**T&S UNIVERSITY**

### Online Training with T&S University

At T&S University, our mission is clear: to provide helpful, relevant education and training in every industry we serve.



Utilizing the best of e-learning, on-site training, and other educational resources, we strive to equip our reps, dealers, and stakeholders with the tools they need to be most effective in their roles.

In the end, it's not just about our products – it's about the industries, markets and regulatory environments where T&S Brass solutions are at work every day.

It's easy to enroll and start learning today – even from your mobile device. Sign up for T&S University to take the course. We have 17 courses and counting!

### On-Location Training in Travelers Rest, S.C.!

Or you can attend a training at our Training Center at our Headquarters in Travelers Rest, South Carolina. At our trainings, you will learn about our products through product presentations, hands-on activities, and also take a tour of the factory.





T&S today, showing the 2021 expansion and renovation of our headquarters, plant, office and training center in South Carolina.



Our expansion and renovation supports the company's continued growth in the U.S. and around the world.



In the mid-1970s, we had become the market leader in the restaurant industry and expanded into the healthcare, laboratory and non-residential plumbing markets.

Having outgrown our New York facilities, founder George Theisen relocated to a new 80,000-square-foot facility in Travelers Rest, South Carolina in 1978.



A T&S trade show booth with product displays; and our distribution and manufacturing facility in Shanghai, China.





T&S has sales training and education locations at our South Carolina headquarters and in Cologne, Germany, and we offer remote learning courses on-line with T&S University (TSU).



T&S sponsors social events that occur regularly with our employees.













**RELIABILITY BUILT IN™**

[www.tsbrass.com](http://www.tsbrass.com)

[internationalsales@tsbrass.com](mailto:internationalsales@tsbrass.com)

### Meet the Team

*The T&S India and Subcontinent team proudly serves all of India, Sri Lanka, Nepal, Bangladesh, and Maldives, with team members hailing from Bangalore, Mumbai, and Delhi. We would be honored to set up a meeting with you in any city across India or at any of the trade shows we attend. We are ready to supply what our customers need, wherever they are.*



#### **Akash Prasad**

Head of Business Development India & Sub-Continent

[aprasad@tsbrass.com](mailto:aprasad@tsbrass.com)

Ph: 7022569150



#### **Yashaswi Anand**

Key Accounts Manager India

[yanand@tsbrass.com](mailto:yanand@tsbrass.com)

Ph: 7709586000



#### **Amit Verma**

Area Sales Manager – North & East India

[averma@tsbrass.com](mailto:averma@tsbrass.com)

Ph: 9958300651



#### **Dr. Punit**

Marketing Coordinator India & Subcontinent

[psingh@tsbrass.com](mailto:psingh@tsbrass.com)

Ph: 9910953325

