



T&S BRASS AND BRONZE WORKS, INC.

2 Saddleback Cove / P.O. Box 1088
Travelers Rest, SC 29690

Model No.

EX-HW-KPV

Item No.

Travelers Rest, SC: 800-476-4103 • Simi Valley, CA: 800-423-0150 • Fax: 864-834-3518 • www.tsbrass.com

This Space for Architect/Engineer Approval

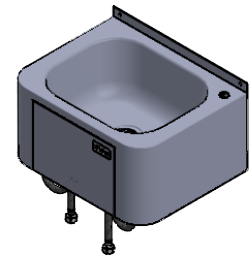
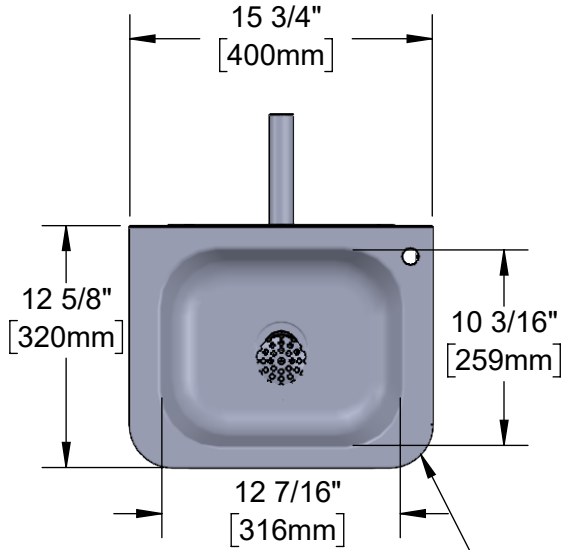
Job Name _____ Date _____

Model Specified _____ Quantity _____

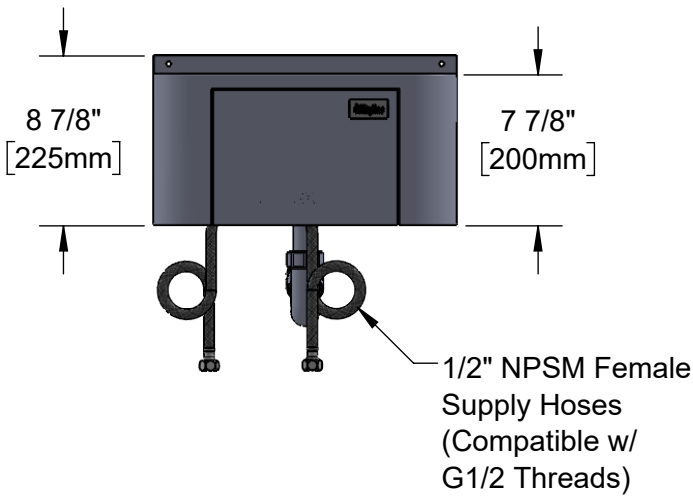
Customer/Wholesaler _____

Contractor _____

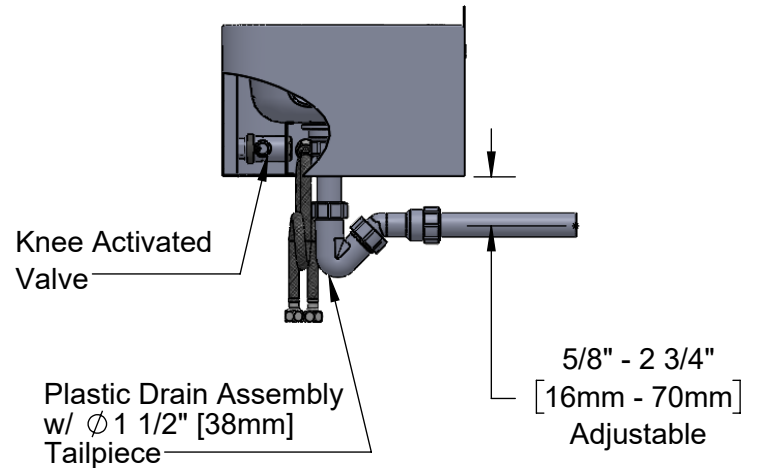
Architect/Engineer _____



Stainless Steel Sink
Supplied with Mounting
Bracket, Drain Assembly,
Knee Activated Valve and
Mixing Valve



1/2" NPSM Female
Supply Hoses
(Compatible w/
G1/2 Threads)



Note:

Adjustable Metering Cycle From 2-12 Seconds, with Factory Setting of 4-5 Seconds.

Timing Adjustable Underneath the Knee Valve Cap (2.5mm Hex L-Wrench Sold Separately)

Product Specifications:

Stainless Steel Hand Sink w/o Backsplash, Knee Activated Valve and 1/2" NPSM Female Supply Hoses

Product Compliance:



T&S BRASS AND BRONZE WORKS, INC.

2 Saddleback Cove / P.O. Box 1088
Travelers Rest, SC 29690

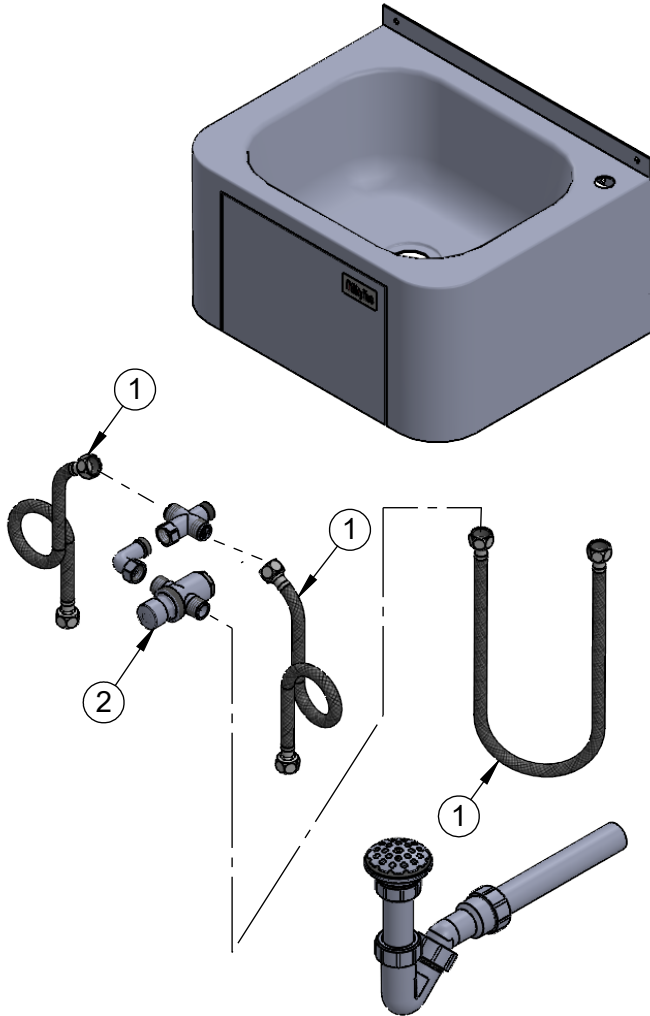
Model No.

EX-HW-KPV

Item No.

Travelers Rest, SC: 800-476-4103 • Simi Valley, CA: 800-423-0150 • Fax: 864-834-3518 • www.tsbrass.com

ITEM NO.	SALES NO.	DESCRIPTION
1	016167-45XL	24" Flex Hose w/ 1/2" NPSM-F x 1/2" NPSM-F
2	EX-KPV	Knee Activated Valve



Product Specifications:

Stainless Steel Hand Sink w/o Backsplash, Knee Activated Valve and 1/2" NPSM Female Supply Hoses

Product Compliance: