



T&S BRASS AND BRONZE WORKS, INC.

2 Saddleback Cove / P.O. Box 1088
Travelers Rest, SC 29690

Model No.

EX-HW-DS-V5

Item No.

Travelers Rest, SC: 800-476-4103 • Simi Valley, CA: 800-423-0150 • Fax: 864-834-3518 • www.tsbrass.com

This Space for Architect/Engineer Approval

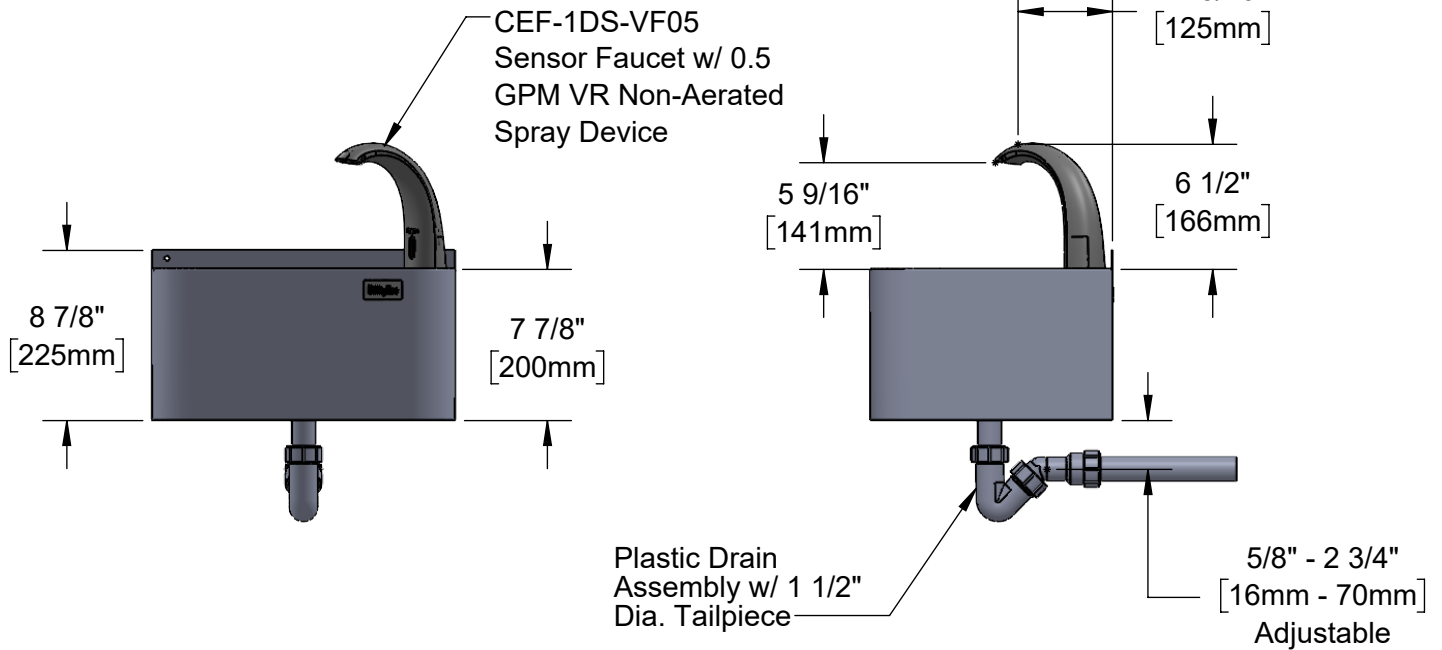
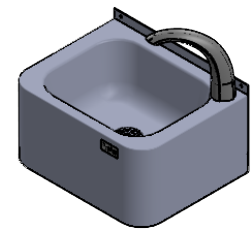
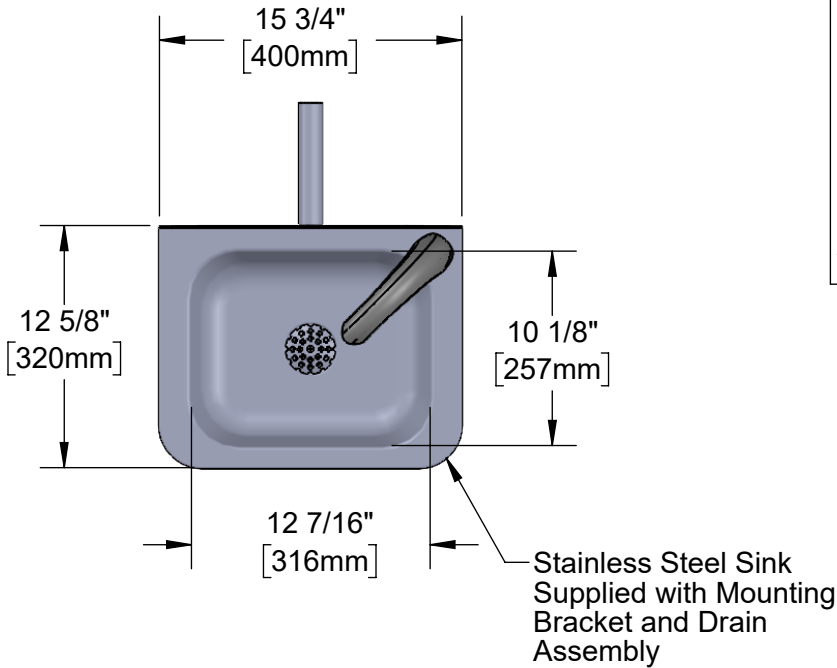
Job Name _____ Date _____

Model Specified _____ Quantity _____

Customer/Wholesaler _____

Contractor _____

Architect/Engineer _____



Product Specifications:

Stainless Steel Hand Sink w/o Backsplash, Electronic Sensor Faucet w/ 0.5 GPM VR Non-Aerated Spray Device and Plastic Drain Kit

Product Compliance:



T&S BRASS AND BRONZE WORKS, INC.

2 Saddleback Cove / P.O. Box 1088
Travelers Rest, SC 29690

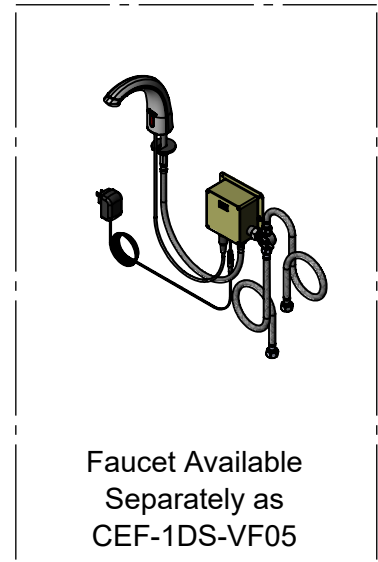
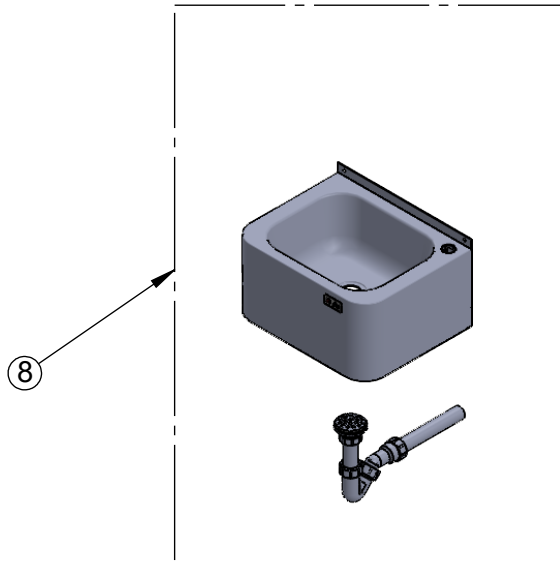
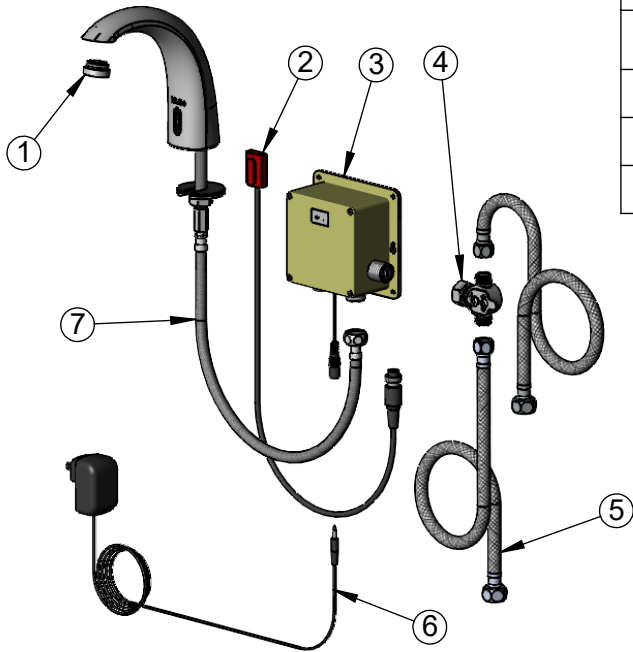
Model No.

EX-HW-DS-V5

Item No.

Travelers Rest, SC: 800-476-4103 • Simi Valley, CA: 800-423-0150 • Fax: 864-834-3518 • www.tsbrass.com

ITEM NO.	SALES NO.	DESCRIPTION
1	EU-0199-M24-V05	VR 0.5 GPM Spray Device, M24x1 Male
2	020377-45	Sensor Cable
3	019920-45	Control Module
4	019921-45	Mechanical Temperature Mixing Valve
5	019922-45	Supply Hose, G3/8 x G1/2 Connections
6	019924-45	Plug-in AC Transformer
7	019926-45	Flexible Connector Hose
8	EX-HS-1D	Solid Front Hand Sink Assembly



Product Specifications:

Stainless Steel Hand Sink w/o Backsplash, Electronic Sensor Faucet w/ 0.5 GPM VR Non-Aerated Spray Device and Plastic Drain Kit

Product Compliance: