



T&S BRASS AND BRONZE WORKS, INC.

2 Saddleback Cove / P.O. Box 1088
Travelers Rest, SC 29690

Model No.

EX-HS-KPV-LS

Item No.

Travelers Rest, SC: 800-476-4103 • Simi Valley, CA: 800-423-0150 • Fax: 864-834-3518 • www.tsbrass.com

This Space for Architect/Engineer Approval

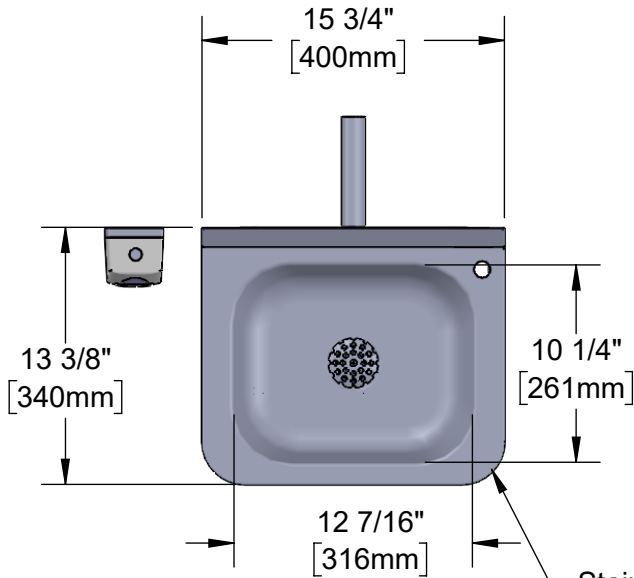
Job Name _____ Date _____

Model Specified _____ Quantity _____

Customer/Wholesaler _____

Contractor _____

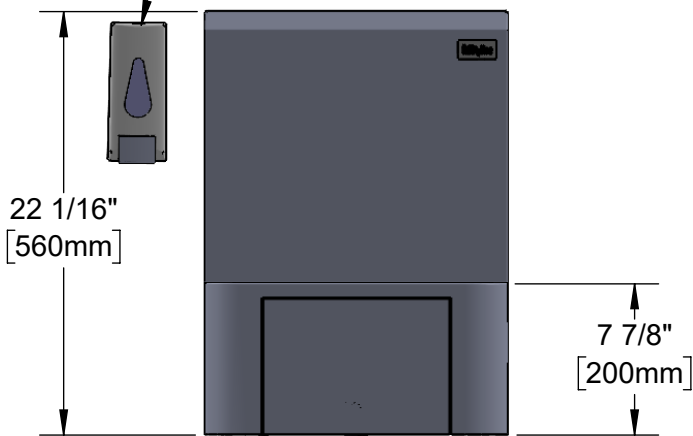
Architect/Engineer _____



Stainless Steel Sink
Supplied with Mounting
Bracket, Drain Assembly,
Knee Activated Valve and
Mixing Valve



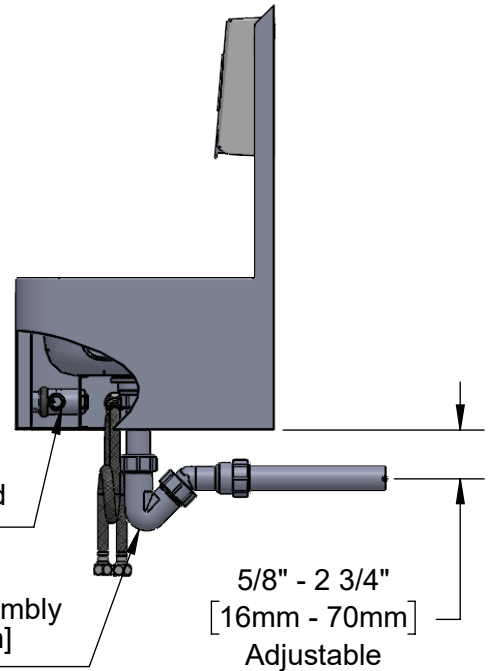
EX-LS Hand Soap
Dispenser



1/2" NPSM Female
Supply Hoses
(Compatible w/
G1/2 Threads)

Knee Activated
Valve

Plastic Drain Assembly
w/ ϕ 1 1/2" [38mm]
Tailpiece



Note:

Adjustable Metering Cycle From 2-12 Seconds, with Factory Setting of 4-5 Seconds.

Timing Adjustable Underneath the Knee Valve Cap (2.5mm Hex L-Wrench Sold Separately)

Product Specifications:

Stainless Steel Hand Sink w/ Backsplash, Knee Activated Valve, 1/2" NPSM Female Supply Hoses and Hand Soap Dispenser

Product Compliance:



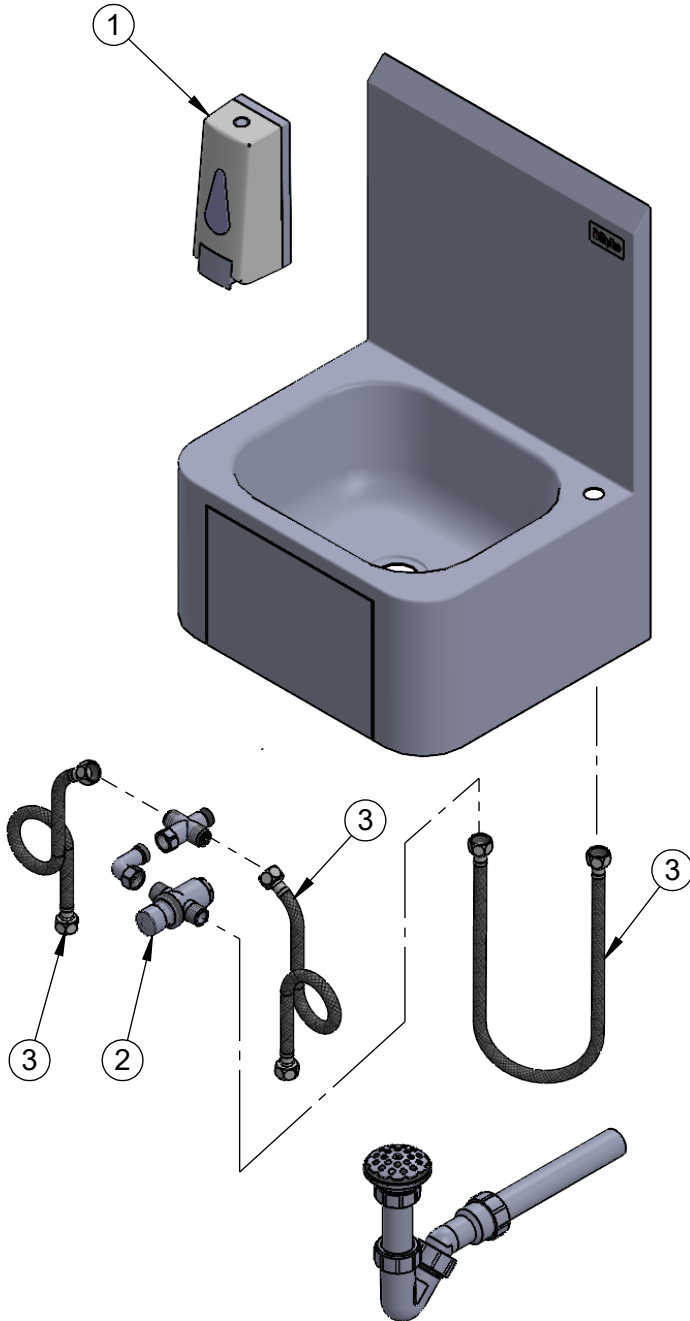
T&S BRASS AND BRONZE WORKS, INC.
 2 Saddleback Cove / P.O. Box 1088
 Travelers Rest, SC 29690

Model No.
EX-HS-KPV-LS

Item No.

Travelers Rest, SC: 800-476-4103 • Simi Valley, CA: 800-423-0150 • Fax: 864-834-3518 • www.tsbrass.com

| ITEM NO. | SALES NO. | DESCRIPTION |
|----------|-------------|--|
| 1 | EX-LS | Soap Dispenser |
| 2 | EX-KPV | Knee Plate Valve |
| 3 | 016167-45XL | 24" Flex Hose w/ 1/2" NPSM-F x 1/2" NPSM-F |



Product Specifications:
 Stainless Steel Hand Sink w/ Backsplash, Knee Activated Valve, 1/2" NPSM
 Female Supply Hoses and Hand Soap Dispenser

Product Compliance: