



T&S BRASS AND BRONZE WORKS, INC.

2 Saddleback Cove / P.O. Box 1088
Travelers Rest, SC 29690

Model No.

EX-HS-KPV-F15-LS

Item No.

Travelers Rest, SC: 800-476-4103 • Simi Valley, CA: 800-423-0150 • Fax: 864-834-3518 • www.tsbrass.com

This Space for Architect/Engineer Approval

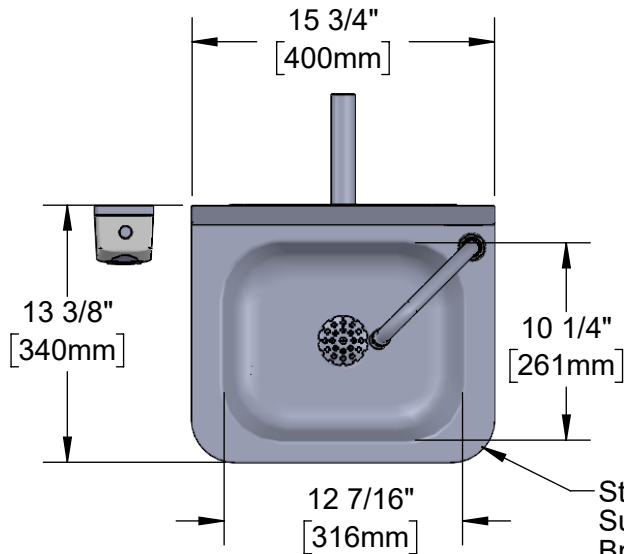
Job Name _____ Date _____

Model Specified _____ Quantity _____

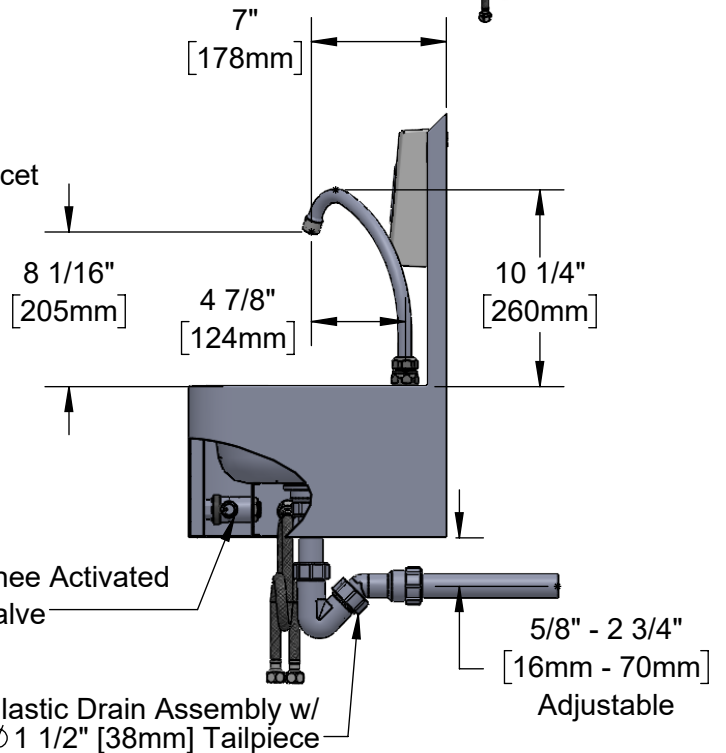
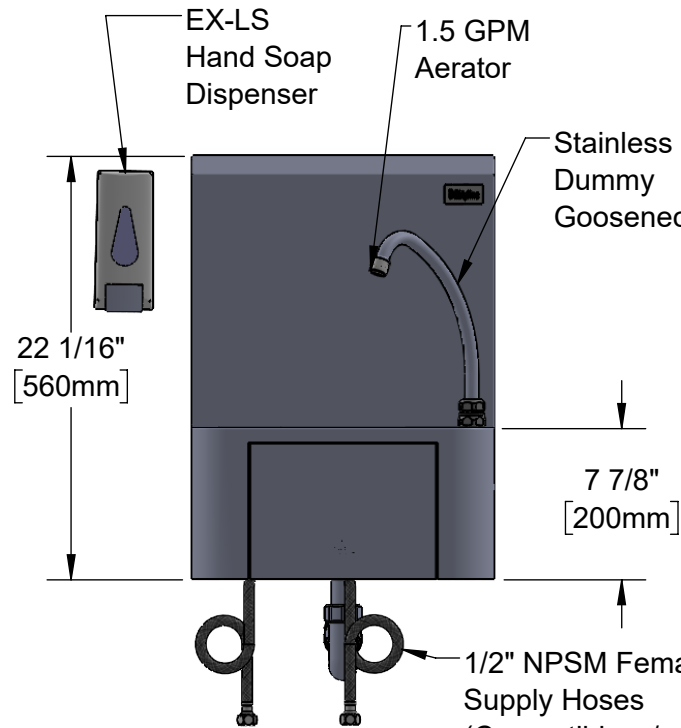
Customer/Wholesaler _____

Contractor _____

Architect/Engineer _____



Stainless Steel Sink
Supplied with Mounting
Bracket, Drain Assembly,
Knee Activated Valve and
Mixing Valve



Note:

Adjustable Metering Cycle From 2-12 Seconds, with Factory Setting of 4-5 Seconds.
Timing Adjustable Underneath the Knee Valve Cap (2.5mm Hex L-Wrench Sold Separately)

Product Specifications:

Stainless Steel Hand Sink w/ Backsplash, Dummy Gooseneck Faucet w/ 1.5 GPM Aerator, Knee Activated Valve, 1/2" NPSM Female Supply Hoses and Hand Soap Dispenser

Product Compliance:



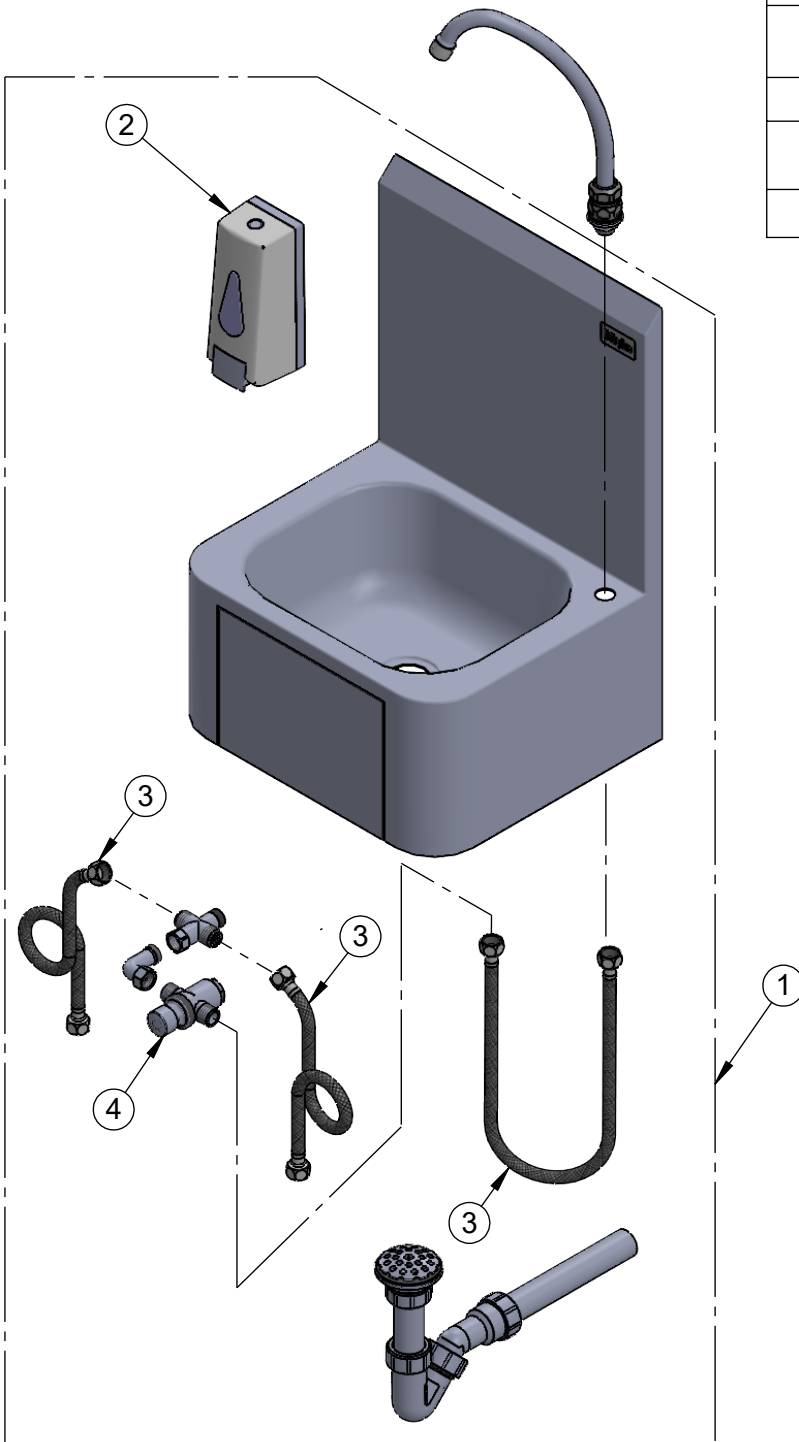
T&S BRASS AND BRONZE WORKS, INC.
 2 Saddleback Cove / P.O. Box 1088
 Travelers Rest, SC 29690

Model No.
EX-HS-KPV-F15-LS

Item No.

Travelers Rest, SC: 800-476-4103 • Simi Valley, CA: 800-423-0150 • Fax: 864-834-3518 • www.tsbrass.com

ITEM NO.	SALES NO.	DESCRIPTION
1	EX-HS-KPV-LS	Knee Activated Hand Sink w/o Faucet
2	EX-LS	Soap Dispenser
3	016167-45XL	24" Flex Hose w/ 1/2" NPSM-F x 1/2" NPSM-F
4	EX-KPV	Knee Plate Valve



Product Specifications:
 Stainless Steel Hand Sink w/ Backsplash, Dummy Gooseneck Faucet w/ 1.5 GPM Aerator, Knee Activated Valve, 1/2" NPSM Female Supply Hoses and Hand Soap Dispenser

Product Compliance: