



T&S BRASS AND BRONZE WORKS, INC.

2 Saddleback Cove / P.O. Box 1088
Travelers Rest, SC 29690

Model No.

EX-HS-1D-LS

Item No.

Travelers Rest, SC: 800-476-4103 • Simi Valley, CA: 800-423-0150 • Fax: 864-834-3518 • www.tsbrass.com

This Space for Architect/Engineer Approval

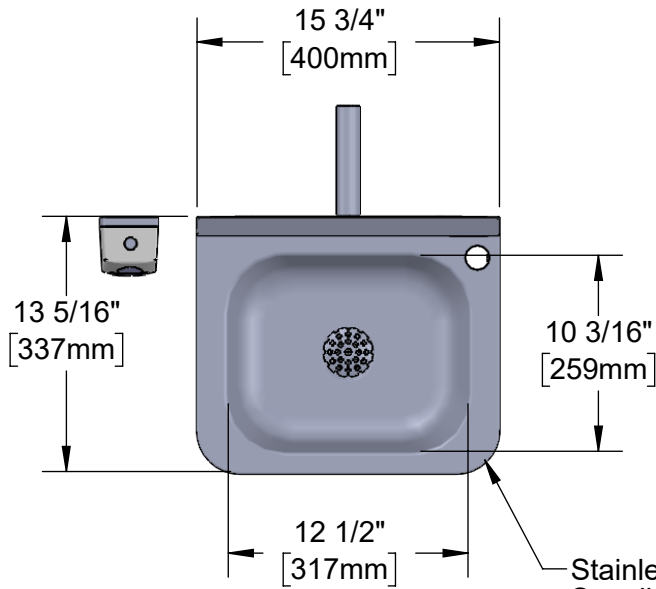
Job Name _____ Date _____

Model Specified _____ Quantity _____

Customer/Wholesaler _____

Contractor _____

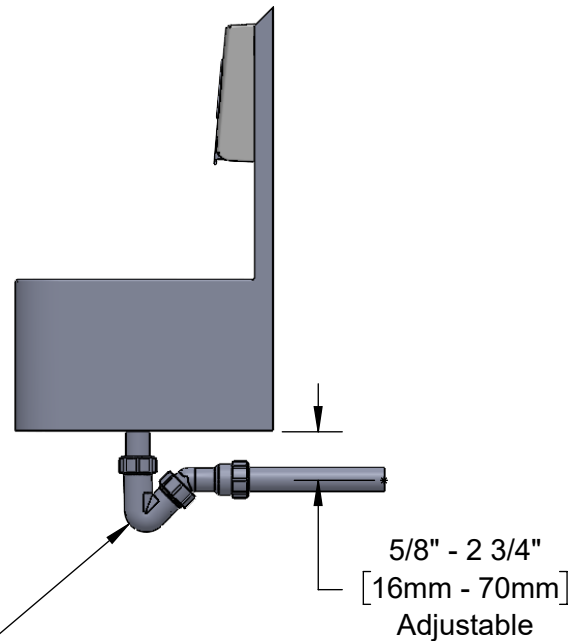
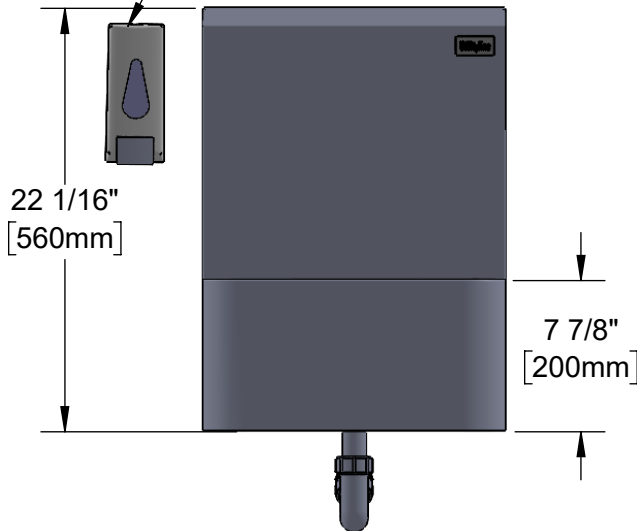
Architect/Engineer _____



Stainless Steel Sink
Supplied with Mounting
Bracket, Drain Assembly,
Knee Activated Valve and
Mixing Valve



EX-LS Hand Soap
Dispenser



Plastic Drain
Assembly w/ 1 1/2"
Dia. Tailpiece

Product Specifications:

Stainless Steel Hand Sink With Back Splash, Plastic Drain Kit and Hand Soap Dispenser

Product Compliance:



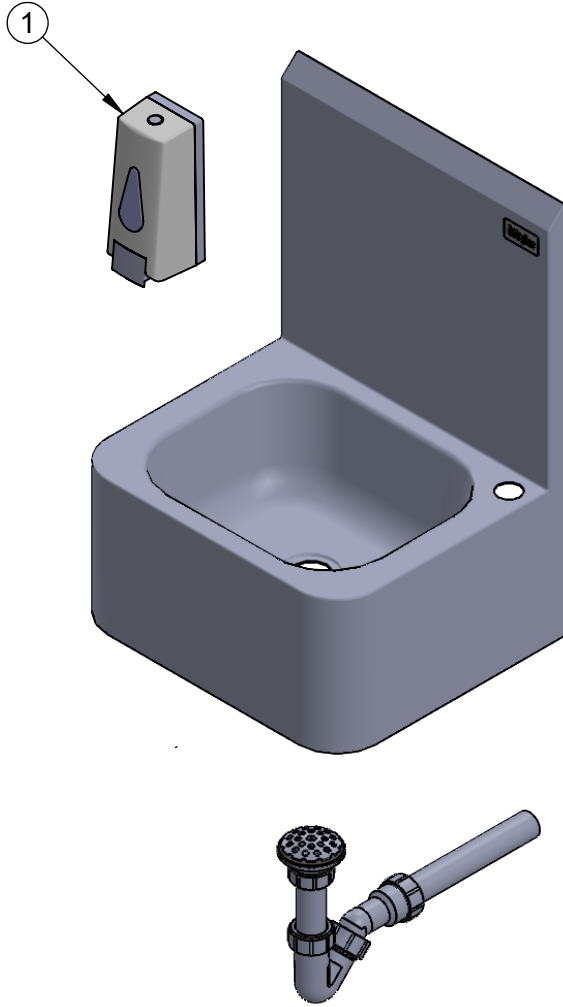
T&S BRASS AND BRONZE WORKS, INC.
 2 Saddleback Cove / P.O. Box 1088
 Travelers Rest, SC 29690

Model No.
EX-HS-1D-LS

Item No.

Travelers Rest, SC: 800-476-4103 • Simi Valley, CA: 800-423-0150 • Fax: 864-834-3518 • www.tsbrass.com

ITEM NO.	SALES NO.	DESCRIPTION
1	EX-LS	Soap Dispenser



Product Specifications:
 Stainless Steel Hand Sink With Back Splash, Plastic Drain Kit and Hand Soap Dispenser

Product Compliance: