



T&S BRASS AND BRONZE WORKS, INC.

2 Saddleback Cove / P.O. Box 1088
Travelers Rest, SC 29690

Model No.

EQ-HS-DS-V5-LS

Item No.

Travelers Rest, SC: 800-476-4103 • Simi Valley, CA: 800-423-0150 • Fax: 864-834-3518 • www.tsbrass.com

This Space for Architect/Engineer Approval

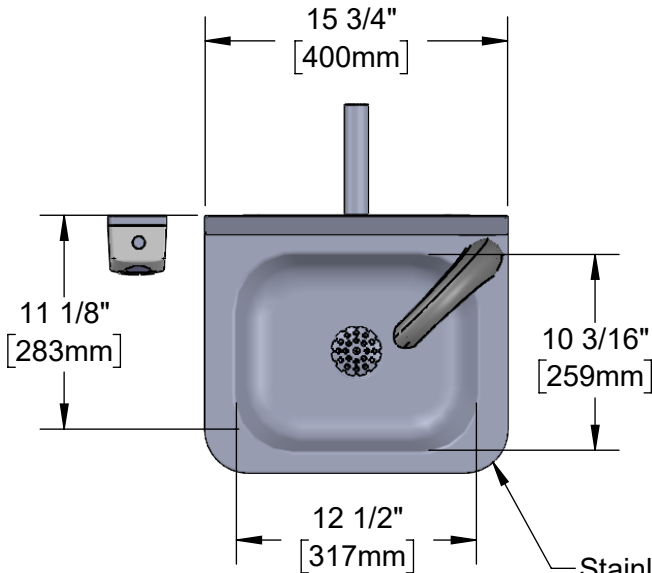
Job Name _____ Date _____

Model Specified _____ Quantity _____

Customer/Wholesaler _____

Contractor _____

Architect/Engineer _____

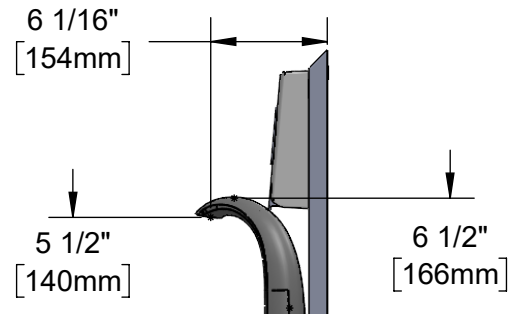
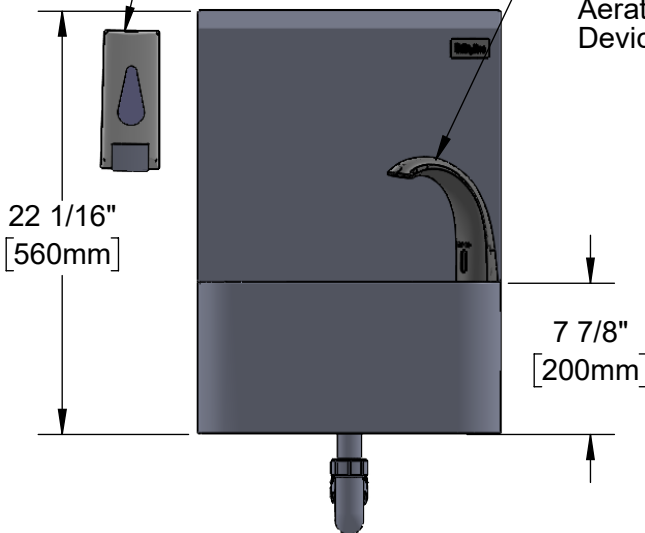


Stainless Steel Sink
Supplied with Mounting
Bracket and Drain
Assembly



EX-LS Hand Soap
Dispenser

5EF-1D-DS-VF05
Sensor Faucet w/ 0.5
GPM VR Non-
Aerated Spray
Device



Plastic Drain
Assembly w/ 1 1/2"
Dia. Tailpiece

5/8" - 2 3/4"
[16mm - 70mm]
Adjustable

Product Specifications:

Stainless Steel Hand Sink, equip Electronic Sensor Faucet w/ 0.5 GPM VR Non-Aerated Spray Device, Plastic Drain Kit and Hand Soap Dispenser

Product Compliance:



T&S BRASS AND BRONZE WORKS, INC.

2 Saddleback Cove / P.O. Box 1088
Travelers Rest, SC 29690

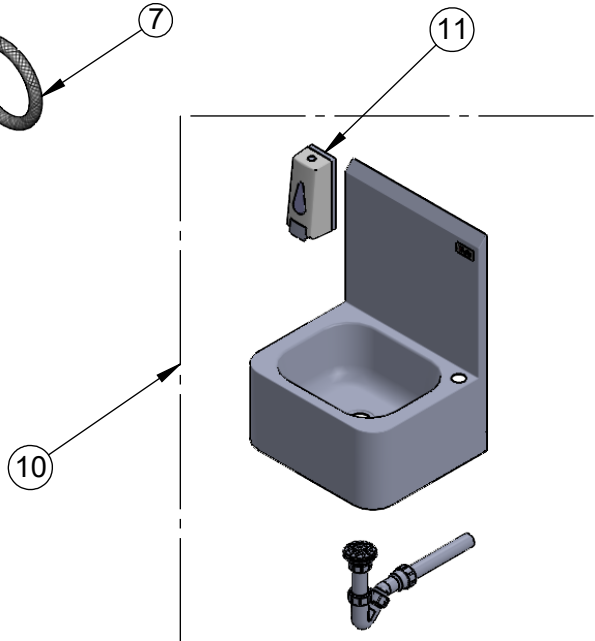
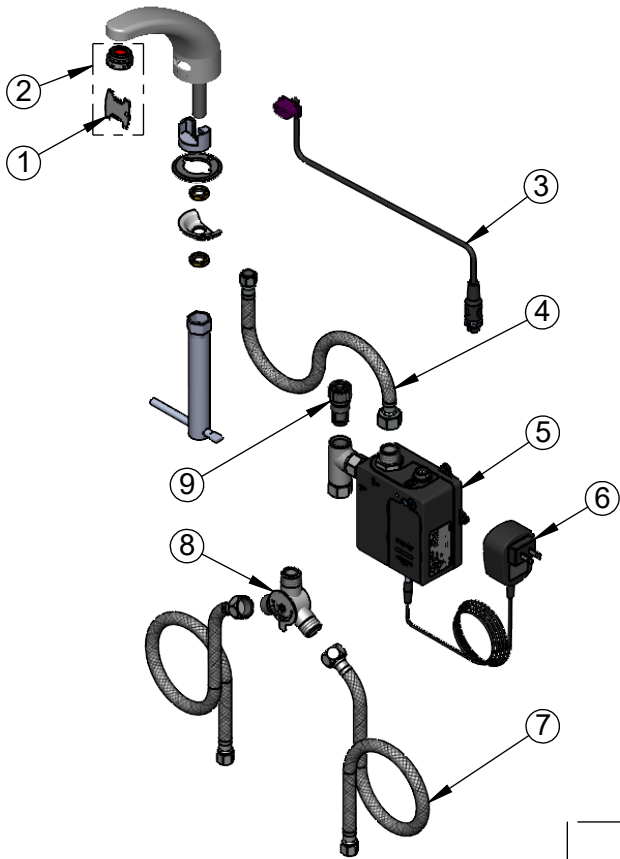
Model No.

EQ-HS-DS-V5-LS

Item No.

Travelers Rest, SC: 800-476-4103 • Simi Valley, CA: 800-423-0150 • Fax: 864-834-3518 • www.tsbrass.com

ITEM NO.	SALES NO.	DESCRIPTION
1	015425-45	Vandal Resistant Key
2	B-0199-09-N05	VR 0.5 GPM Non-Aerated Spray Device, 15/16-27 UN Male w/ Key
3	5EF-0004C	Sensor Cable w/Curved Lens
4	016297-45	Inlet Hose, Faucet, 1/2" NPSM-F x 1/4" NPSM-F
5	5EF-0001C	Supply Hose, G3/8 x G1/2 Connections
6	5EF-0002C	AC Adapter - US Plug
7	5EF-0005	Supply Hose, 9/16-24 Female x 1/2" NPSM
8	5EF-0006	Temperature Mixing Valve
9	EC-FILTER	Replacement Filter
10	EX-HS-1D-LS	Solid Front Hand Sink Assembly
11	EX-LS	Soap Dispenser



Product Specifications:

Stainless Steel Hand Sink, equip Electronic Sensor Faucet w/ 0.5 GPM VR Non-Aerated Spray Device, Plastic Drain Kit and Hand Soap Dispenser

Product Compliance: