



T&S BRASS AND BRONZE WORKS, INC.

2 Saddleback Cove / P.O. Box 1088
Travelers Rest, SC 29690

Model No.

EA-1DF09

Item No.

Travelers Rest, SC: 800-476-4103 • Simi Valley, CA: 800-423-0150 • Fax: 864-834-3518 • www.tsbrass.com

This Space for Architect/Engineer Approval

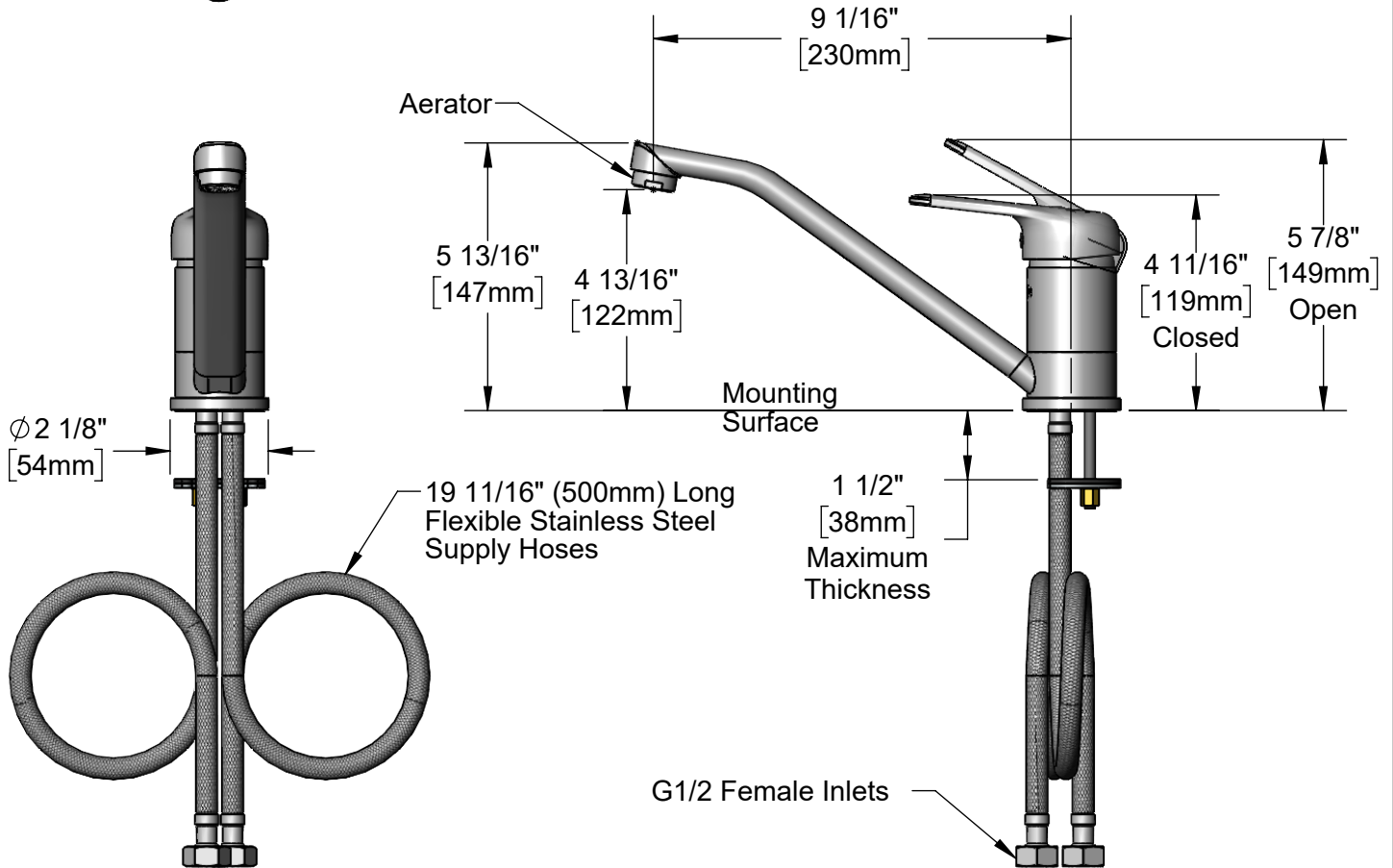
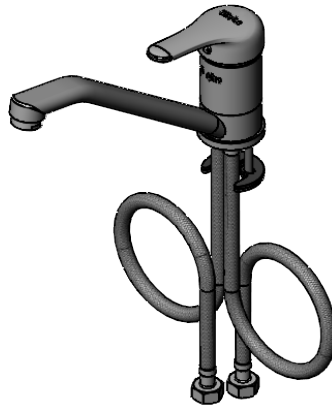
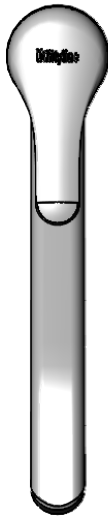
Job Name _____ Date _____

Model Specified _____ Quantity _____

Customer/Wholesaler _____

Contractor _____

Architect/Engineer _____



Rough-In Requirement:
Ø 1 1/2" [38mm] Hole

Product Specifications:
Single Lever Faucet w/ 9" Swivel Nozzle, Short Lever Handle & Flexible
Stainless Steel Hoses

Product Compliance:



T&S BRASS AND BRONZE WORKS, INC.

2 Saddleback Cove / P.O. Box 1088
Travelers Rest, SC 29690

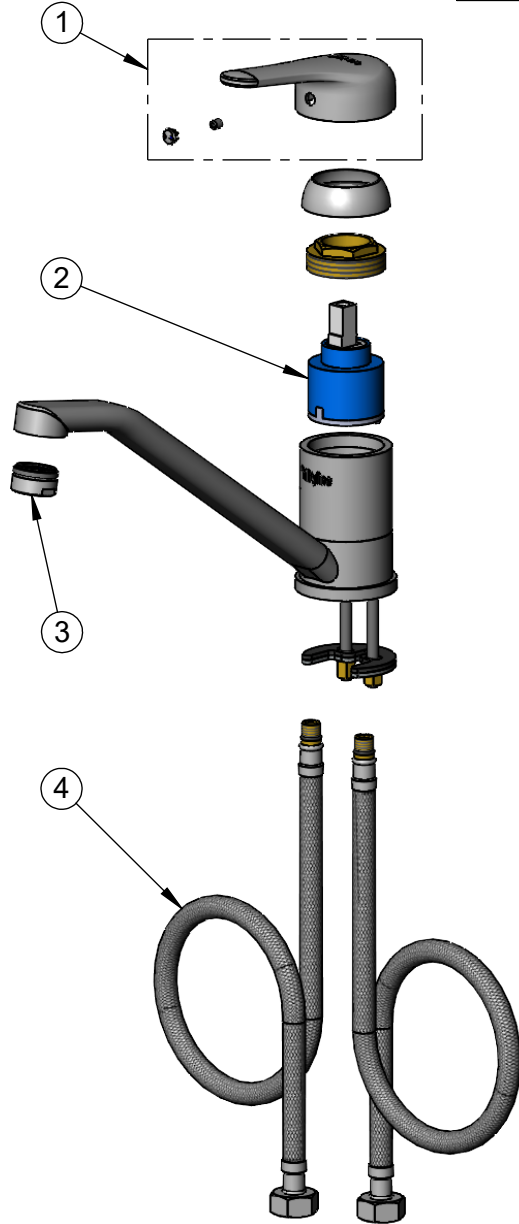
Model No.

EA-1DF09

Item No.

Travelers Rest, SC: 800-476-4103 • Simi Valley, CA: 800-423-0150 • Fax: 864-834-3518 • www.tsbrass.com

ITEM NO.	SALES NO.	DESCRIPTION
1	019241-45	Single Lever Handle w/ Index and Screw
2	019242-45	40mm S/L Ceramic Cartridge (Short)
3	EU-0199-M24-FFA	Full Flow Aerator, M24x1 Male
4	018104-45	Flexible Connector Hose (2)



Product Specifications:

Single Lever Faucet w/ 9" Swivel Nozzle, Short Lever Handle & Flexible Stainless Steel Hoses

Product Compliance: