



T&S BRASS AND BRONZE WORKS, INC.
 2 Saddleback Cove / P.O. Box 1088
 Travelers Rest, SC 29690

Model No.
B-0672-FSC-POL

Item No.

Travelers Rest, SC: 800-476-4103 • Simi Valley, CA: 800-423-0150 • Fax: 864-834-3518 • www.tsbrass.com



ADA Compliant

This Space for Architect/Engineer Approval

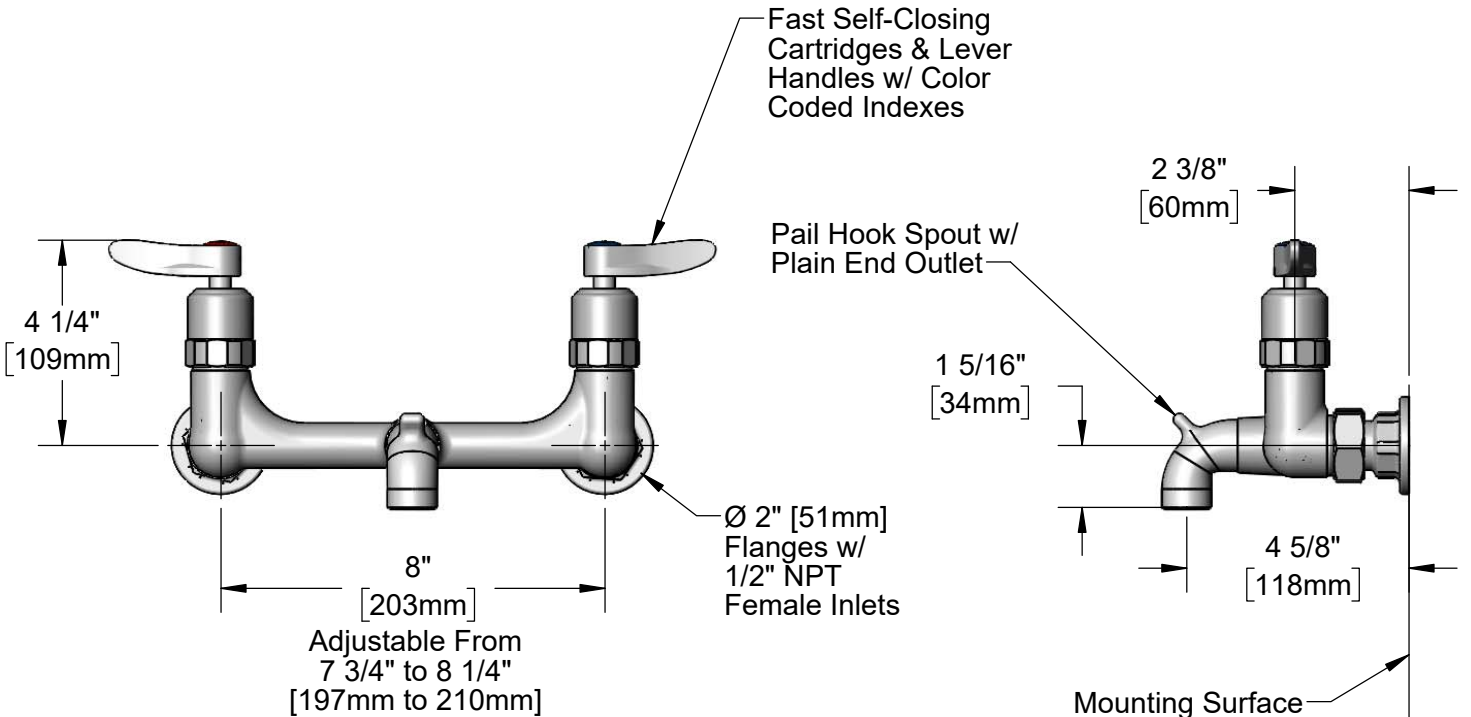
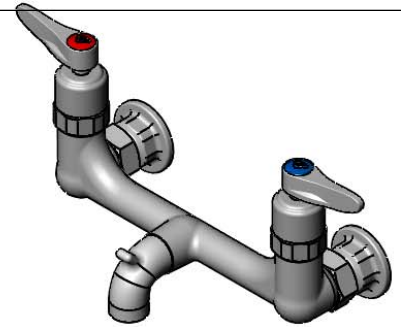
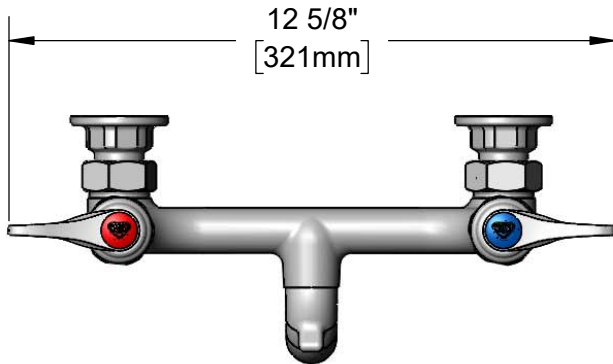
Job Name _____ Date _____

Model Specified _____ Quantity _____

Customer/Wholesaler _____

Contractor _____

Architect/Engineer _____



Product Specifications:
 8" Wall Mount Service Sink Faucet, Fast Self-Closing Cartridges, Lever Handles, Pail Hook Spout w/ Plain End Outlet, Polish Chrome Finish & 1/2" NPT Female Inlets

Product Compliance:
 ASME A112.18.1 / CSA B125.1
 NSF 61 - Section 9
 NSF 372 (Low Lead Content)
 ANSI A117.1 (ADA)



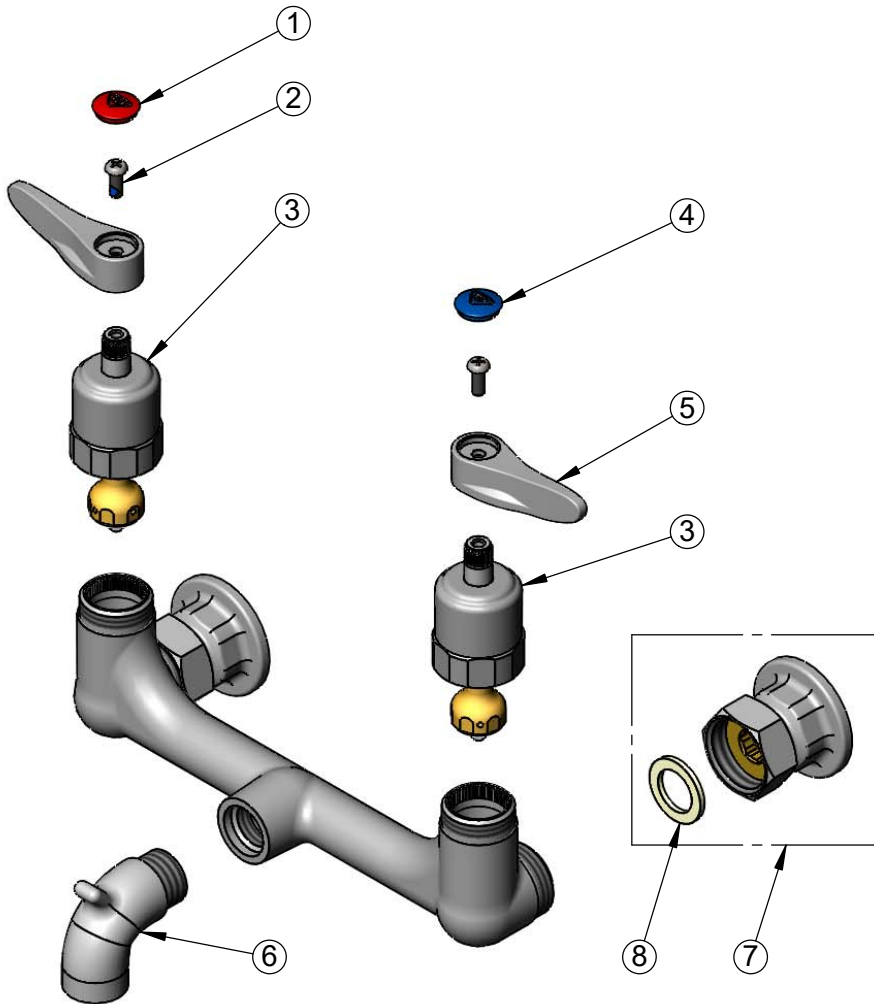
T&S BRASS AND BRONZE WORKS, INC.
 2 Saddleback Cove / P.O. Box 1088
 Travelers Rest, SC 29690

Model No.
B-0672-FSC-POL

Item No.

Travelers Rest, SC: 800-476-4103 • Simi Valley, CA: 800-423-0150 • Fax: 864-834-3518 • www.tsbrass.com

ITEM NO.	SALES NO.	DESCRIPTION
1	001193-19NS	Red Button Index, Press-in
2	000925-45	Lab Handle Screw
3	015317-40	Fast Self-Closing Cartridge
4	018506-19NS	Blue Button Index, Press-in
5	001638-45NS	Lever Handle (New Style)
6	000269-40	Spout w/ Pail Hook & Plain End Outlet, Polish Chrome
7	00AA	1/2" NPT Female Eccentric Flange
8	001019-45	Coupling Nut Washer



Product Specifications:
 8" Wall Mount Service Sink Faucet, Fast Self-Closing Cartridges, Lever Handles, Pail Hook Spout w/ Plain End Outlet, Polish Chrome Finish & 1/2" NPT Female Inlets

Product Compliance:
 ASME A112.18.1 / CSA B125.1
 NSF 61 - Section 9
 NSF 372 (Low Lead Content)
 ANSI A117.1 (ADA)